

TECHNICAL DATA/SPECIFICATION

MODEL: SRE-3050 ELAN STRAIGHT RAIL STAIRLIFT, PRIVATE RESIDENCE ONLY

RATED LOAD: 300 LBS, ONE PASSENGER

POWER SOURCE: 24 VOLT DC COMPRISED OF (2) 3 AMP/HR
12 VOLT SEALED BATTERIES
105-230 VOLT AC 0.6 AMP, 24 VOLT DC 1 AMP
CONTINUOUS MONITORING CHARGER.

DRIVE: 24 VOLT DC DIRECT DRIVE SELF LOCKING POSITIVE GEARED MOTOR,
2 POLE RATED .18 HP MAX., RIGHT ANGLE WORM GEARBOX,
50Nm (442in.lb.) TORQUE MAX., 25.5 RPM SPEED MAX.,
16 AMP CURRENT MAX.

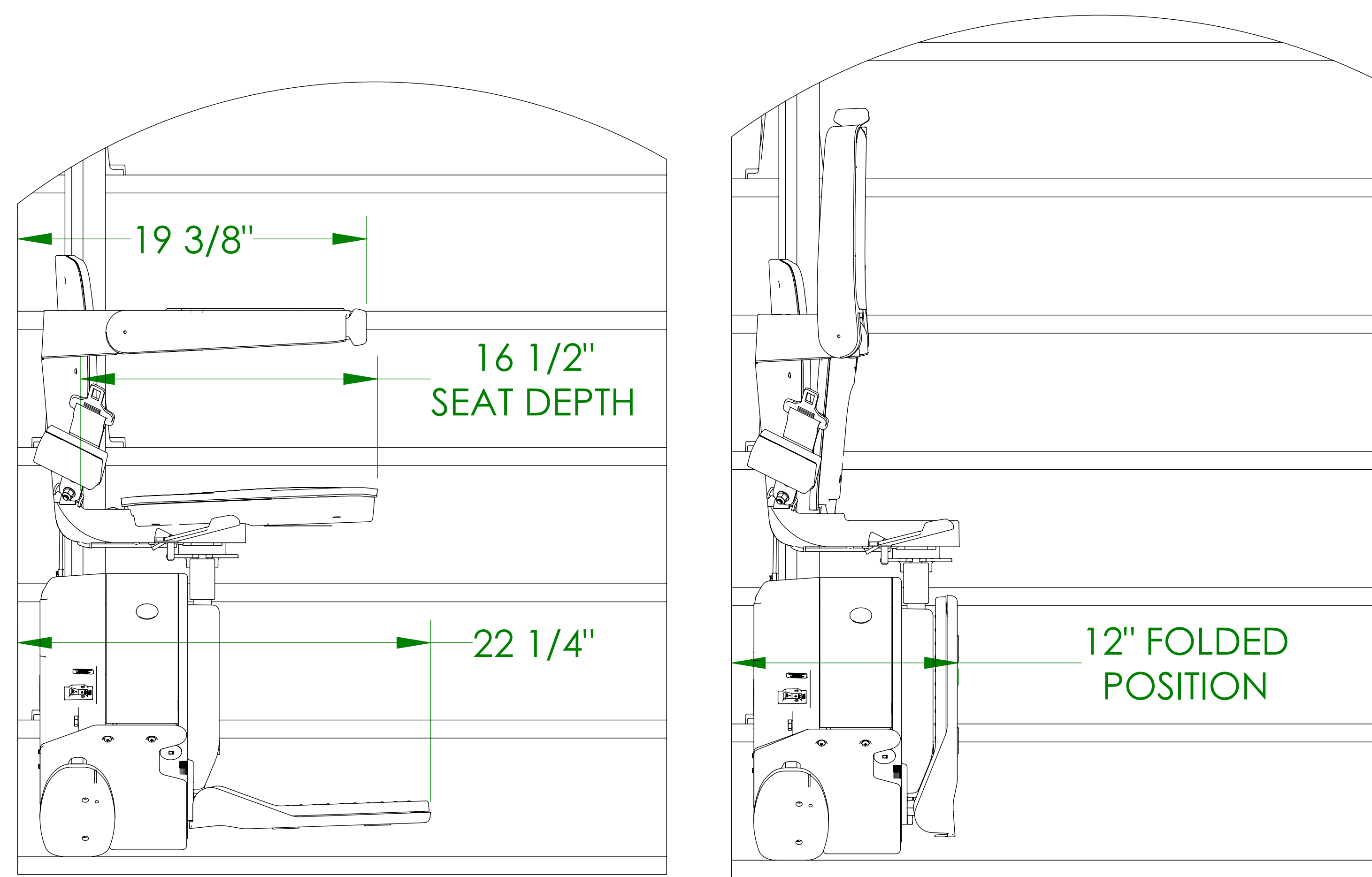
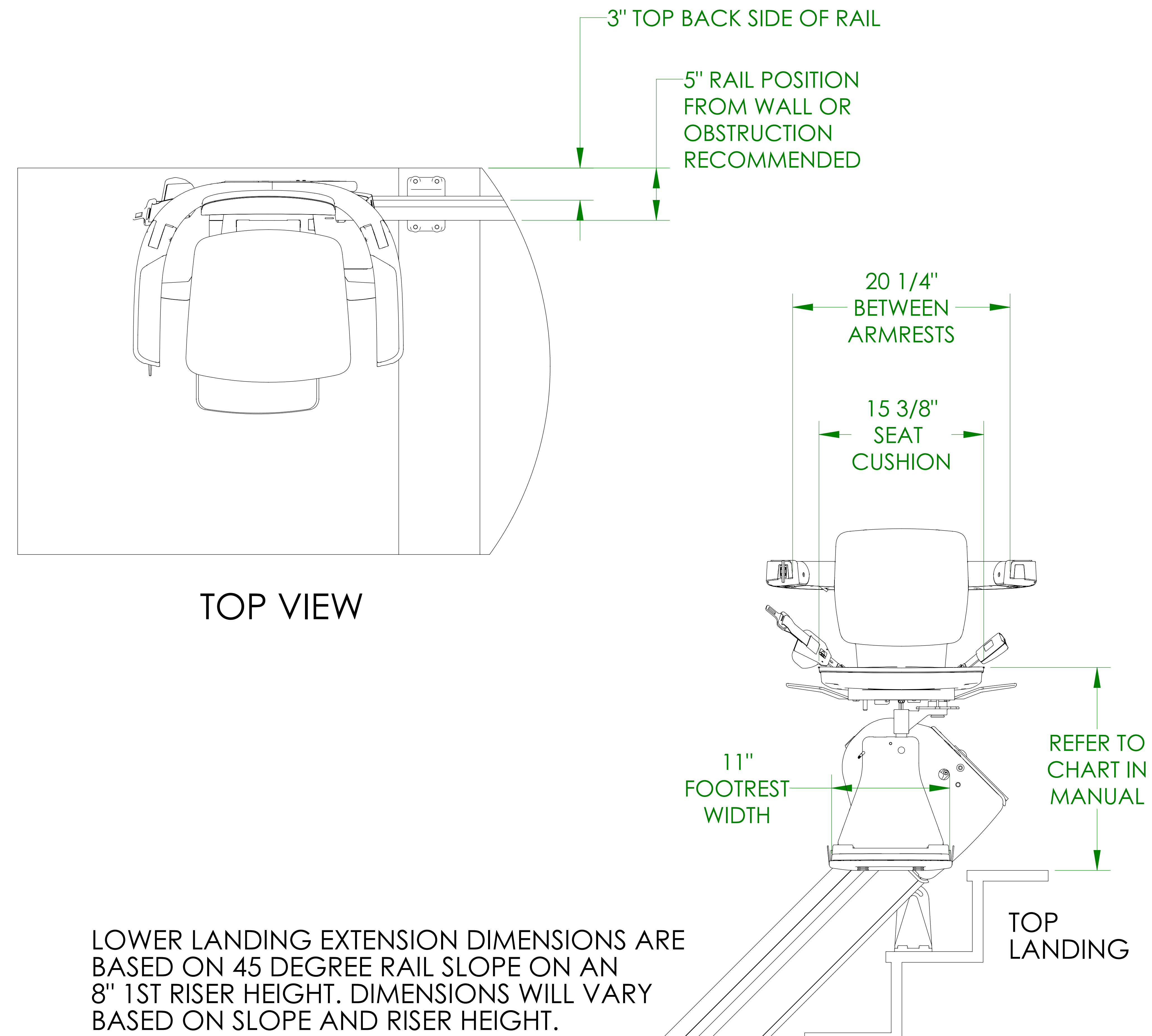
SUSPENSION: RACK & PINION - INTEGRATED 8DP GEAR RACK
ON RAIL WITH SPUR GEAR ON THE OUTPUT SHAFT
OF GEARBOX.

BRAKING: DYNAMIC MOTOR BRAKING THROUGH THE MOTOR
CONTROLLER, WORM GEAR, ELECTRO-MECHANICAL
MOTOR BRAKE AND OVERSPEED PROTECTION.

CONTROLS: CONTINUOUS PRESSURE ROCKER SWITCH LOCATED
ON THE ARMREST AND WALL MOUNTED CALL/SEND
CONTROLS LOCATED AT BOTH THE TOP AND BOTTOM
LANDINGS.

ANGLES: 22 TO 45 DEGREES (SPECIALS UP TO 52 DEGREES),
RIGHT OR LEFT HAND ORIENTATIONS.

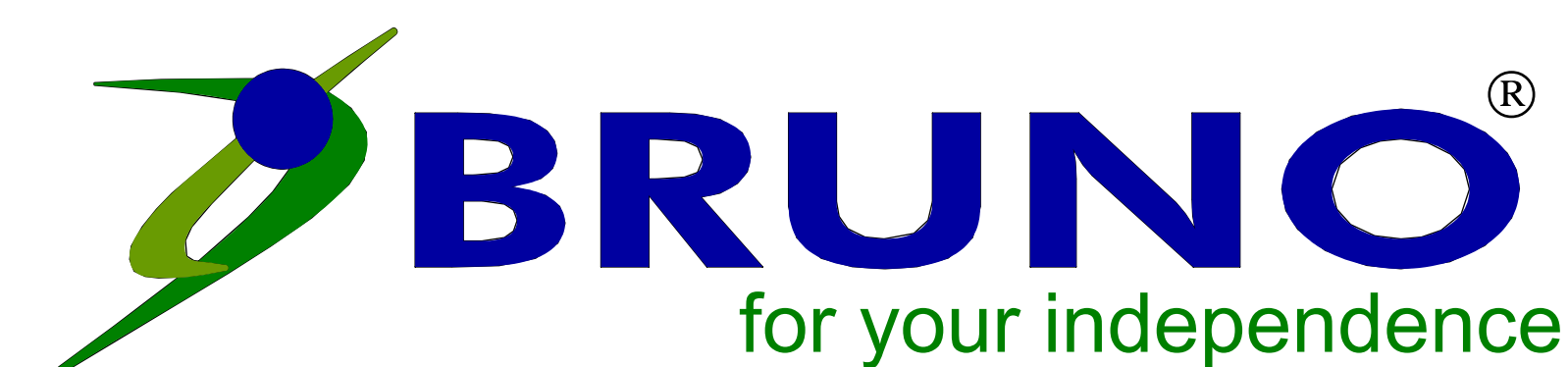
FINAL LIMIT SWITCH: STANDARD



SIDE VIEWS

DIMENSIONS SHOWN IN SIDE VIEWS
ARE BASED ON 4-1/2" RAIL POSITION
FROM WALL OR OBSTRUCTION

1780 Executive Drive
Oconomowoc, WI 53066
www.bruno.com

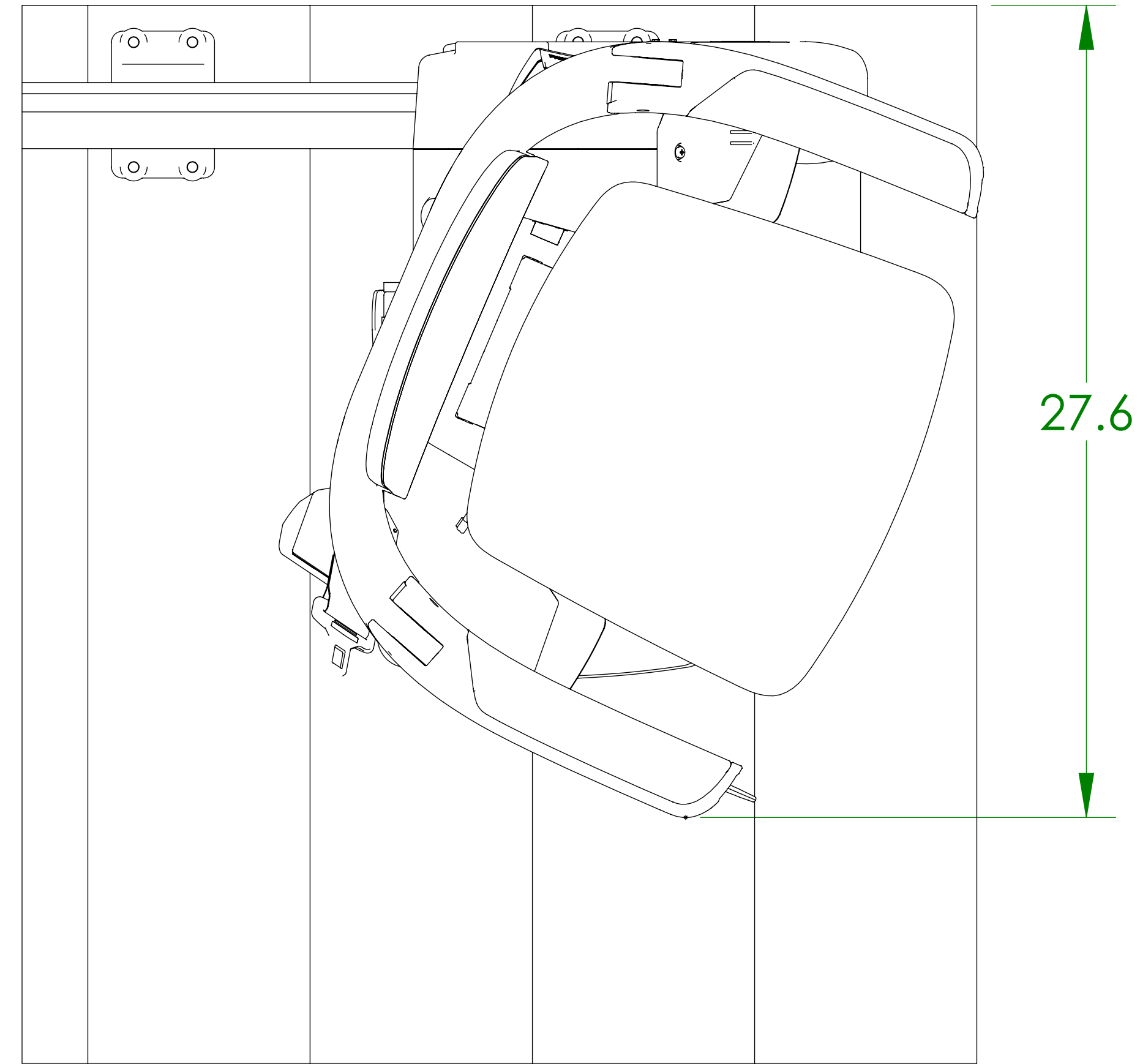


©Bruno Independent Living Aids, Inc.

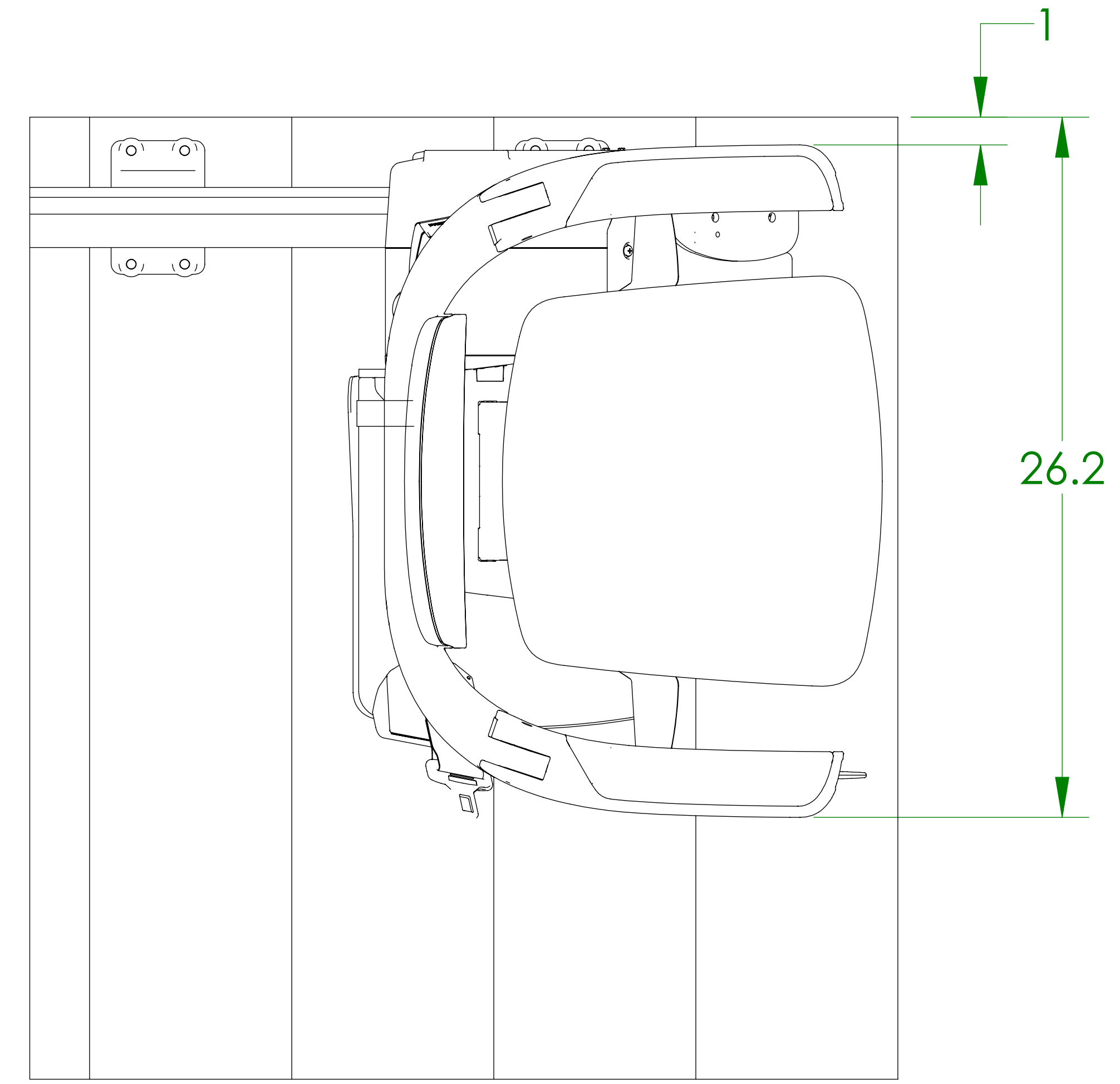
ILS-01459
SHEET 1 OF 3
REV. 0 (ISSUED)(9/20/2019)(BHM)

SRE-3050

DISTANCE FROM WALL - SEAT SWIVELED



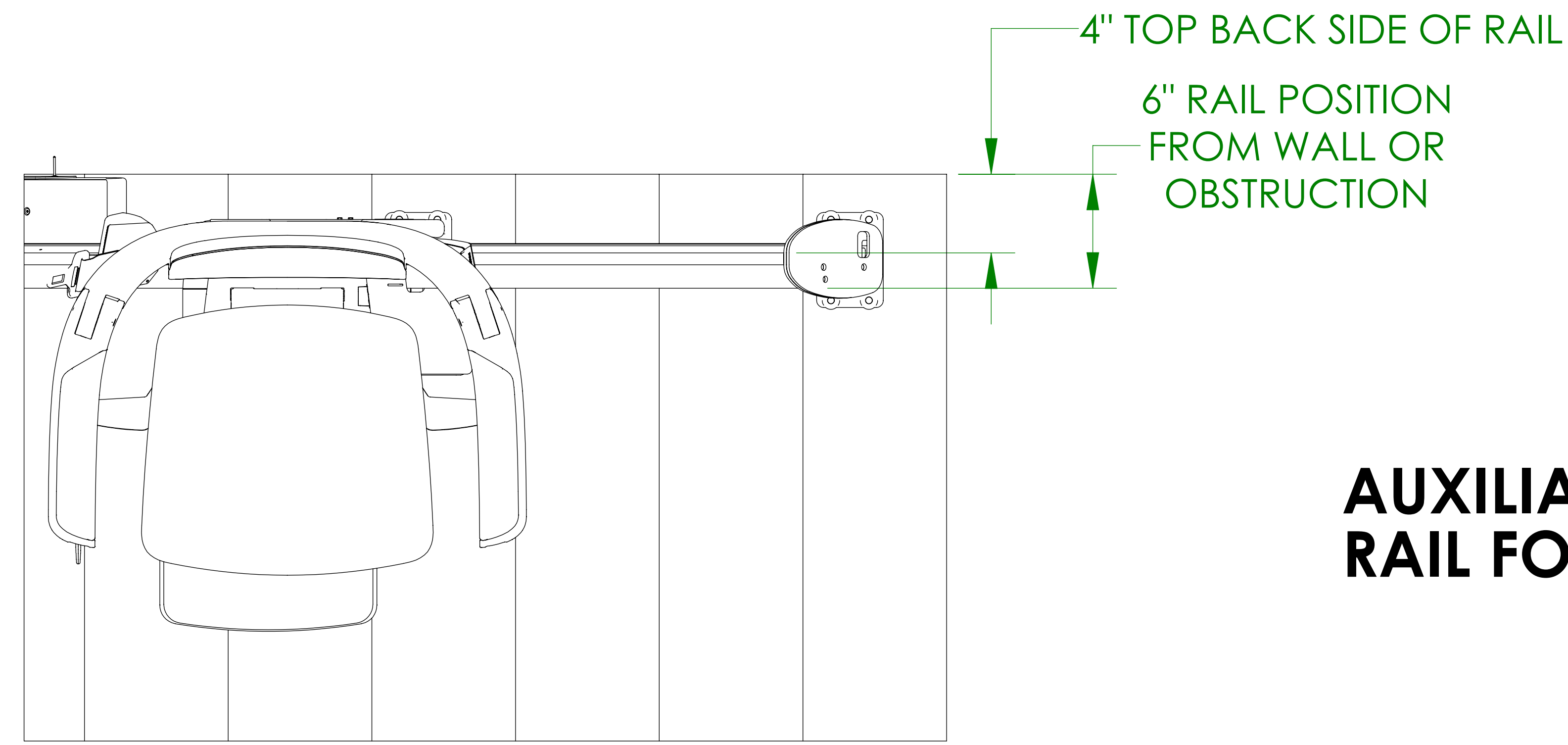
SEAT SWIVELED 67°



SEAT SWIVELED 90°

1780 Executive Drive
Oconomowoc, WI 53066
www.bruno.com

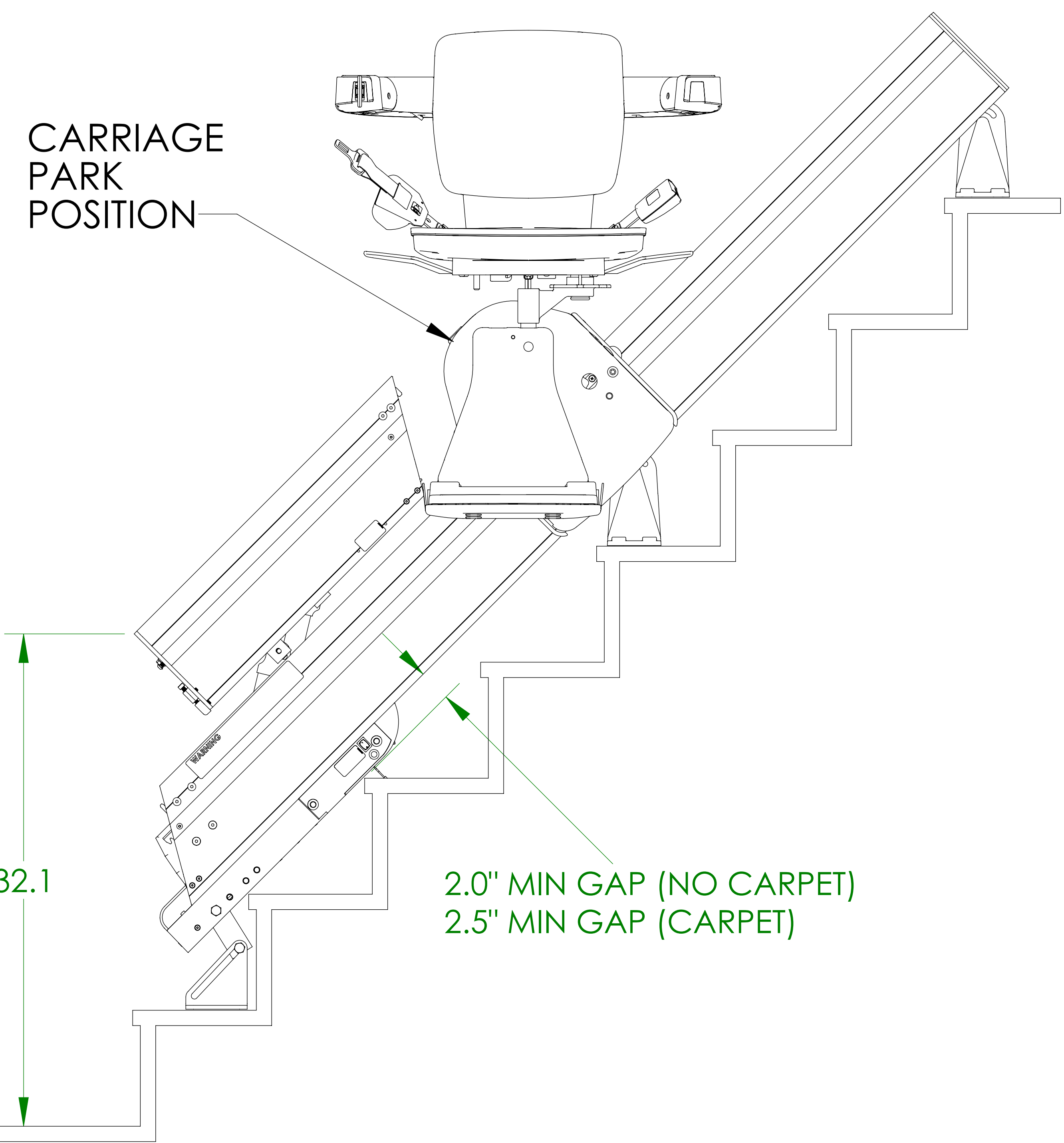
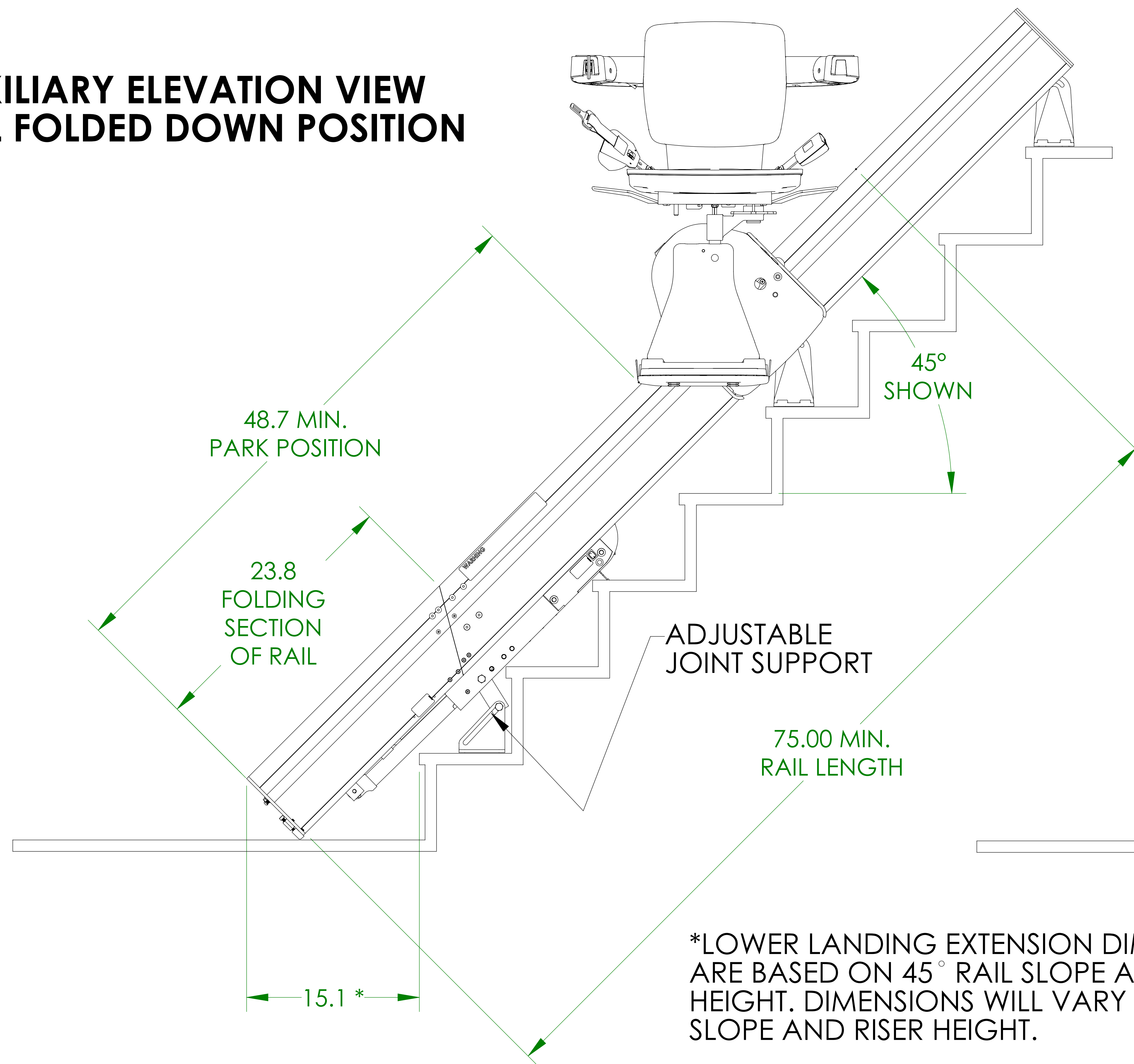
SRE-3050 FOLDING RAIL



TOP VIEW

AUXILIARY ELEVATION VIEW
RAIL FOLDED UP POSITION

AUXILIARY ELEVATION VIEW
RAIL FOLDED DOWN POSITION



*LOWER LANDING EXTENSION DIMENSIONS ARE BASED ON 45° RAIL SLOPE AND 8" RISER HEIGHT. DIMENSIONS WILL VARY BASED ON SLOPE AND RISER HEIGHT.

1780 Executive Drive
Oconomowoc, WI 53066
www.bruno.com