

SRE-3050 POWER OPTIONS TYPICAL DRAWING

SUPPLEMENTAL SEAT AND FOOTREST DIMENSIONS FOR POWER OPTIONS

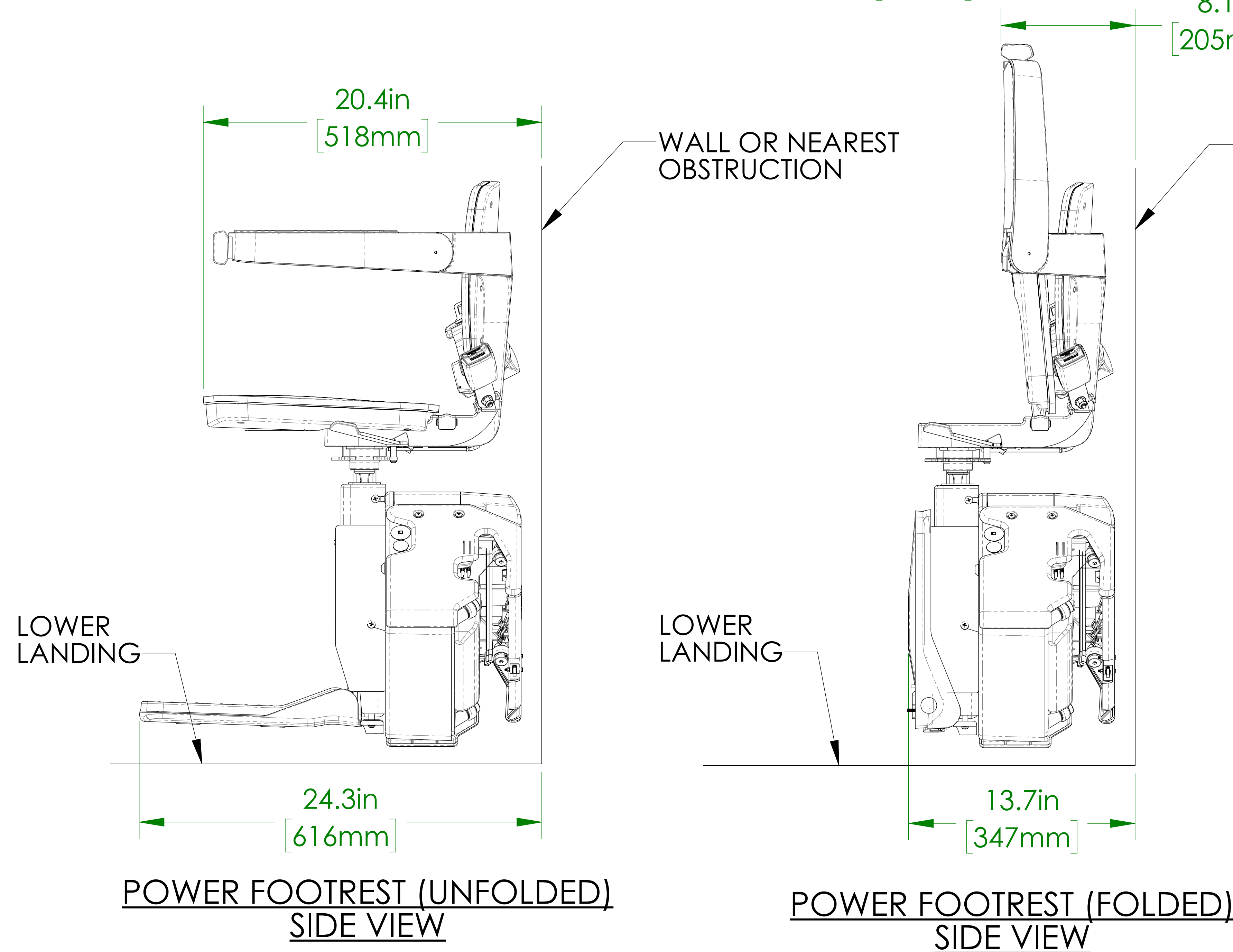
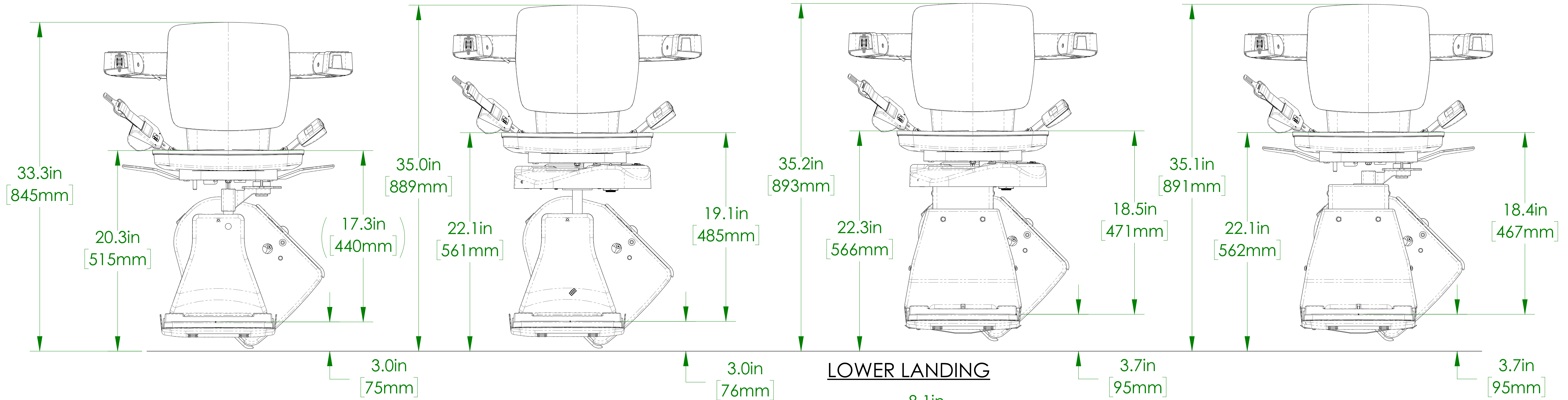
CARRIAGE AND SEAT ELEVATION VIEW
SEAT AND FOOTREST SHOWN IN LOWEST POSITIONS
FOR LEFT HAND INSTALLATIONS

STANDARD

POWER SWIVEL ONLY

POWER SWIVEL & POWER FOOTREST

POWER FOOTREST ONLY



NOTES:

- 1) STANDARD: SEAT ADJUSTS UP 3" [76mm] IN 1" [25mm] INCREMENTS.
- 2) POWER OPTIONS: SEAT ADJUSTS UP 2" [51mm] IN 1" [25mm] INCREMENTS.