



M2LIFT

VERTICAL PLATFORM LIFT

PLANNING GUIDE

Applicable Codes:

ASME A17.1

ASME A18.1

CAN/CSA B613

**Part No. 001101
27-m09-2018**

Copyright © 2018
Savaria Concord Lifts, Inc.
All rights reserved.

Printed in Canada

Purpose of This Guide

This guide assists architects, contractors, and lift professionals to incorporate the M2LIFT into a residential building design. The design and manufacture of the M2LIFT meets the requirements of the following codes and standards:

- ASME A18.1-2003 Section 5 (Private)
- ASME A18.1-2005 Section 5 (Private)
- ASME A18.1-2008 Section 5 (Private)
- ASME A18.1-2011 Section 5 (Private)
- ASME A18.1-2014 Section 5 (Private)
- ASME A18.1-2017 Section 5 (Private)
- ASME A17.1-1996 Section 21 (Private)
- CAN/CSA B613-2000 (Private)

We recommend that you contact your local authority having jurisdiction to ensure that you adhere to all local rules and regulations pertaining to vertical platform lifts.

IMPORTANT: This Planning Guide provides nominal dimensions and specifications useful for the initial planning of a vertical lift project. Dimensions and specifications are subject to change without notice due to continually evolving code and product applications.

Before beginning actual construction, please consult Savaria or the authorized Savaria dealer in your area to ensure you receive your site-specific installation drawings with the dimensions and specifications for your project.

Visit our website for the most recent M2LIFT drawings and dimensions.

How to Use This Guide

- 1 Determine your client's intended use of the lift.
- 2 Determine the local code requirements.
- 3 Determine the site installation parameters.
- 4 Determine the cab type and hoistway size requirements.
- 5 Plan for electrical requirements.

History

November 29, 2017 - Initial release

December 6, 2017 - Revised illustrations on pages 4 and 7; Revised landing gate drawing on page 11

July 13, 2018 - Revised concrete slab drawing on page 8

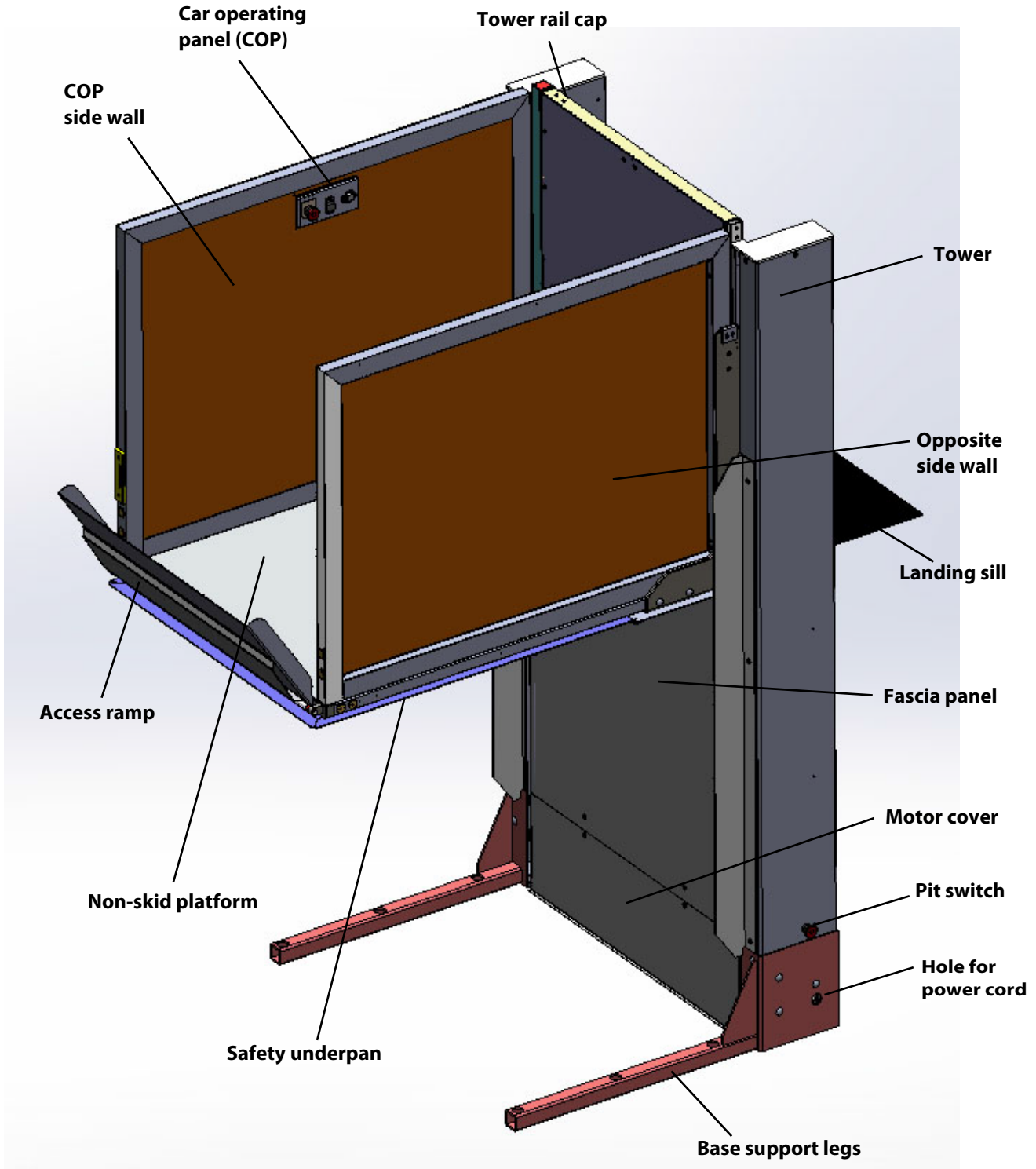
September 27, 2018 - Added ASME 18.1-2017 to code list above

Description

The M2LIFT is designed to provide easy access from one landing to another. The versatile design of this lift can be adapted to most architectural requirements.

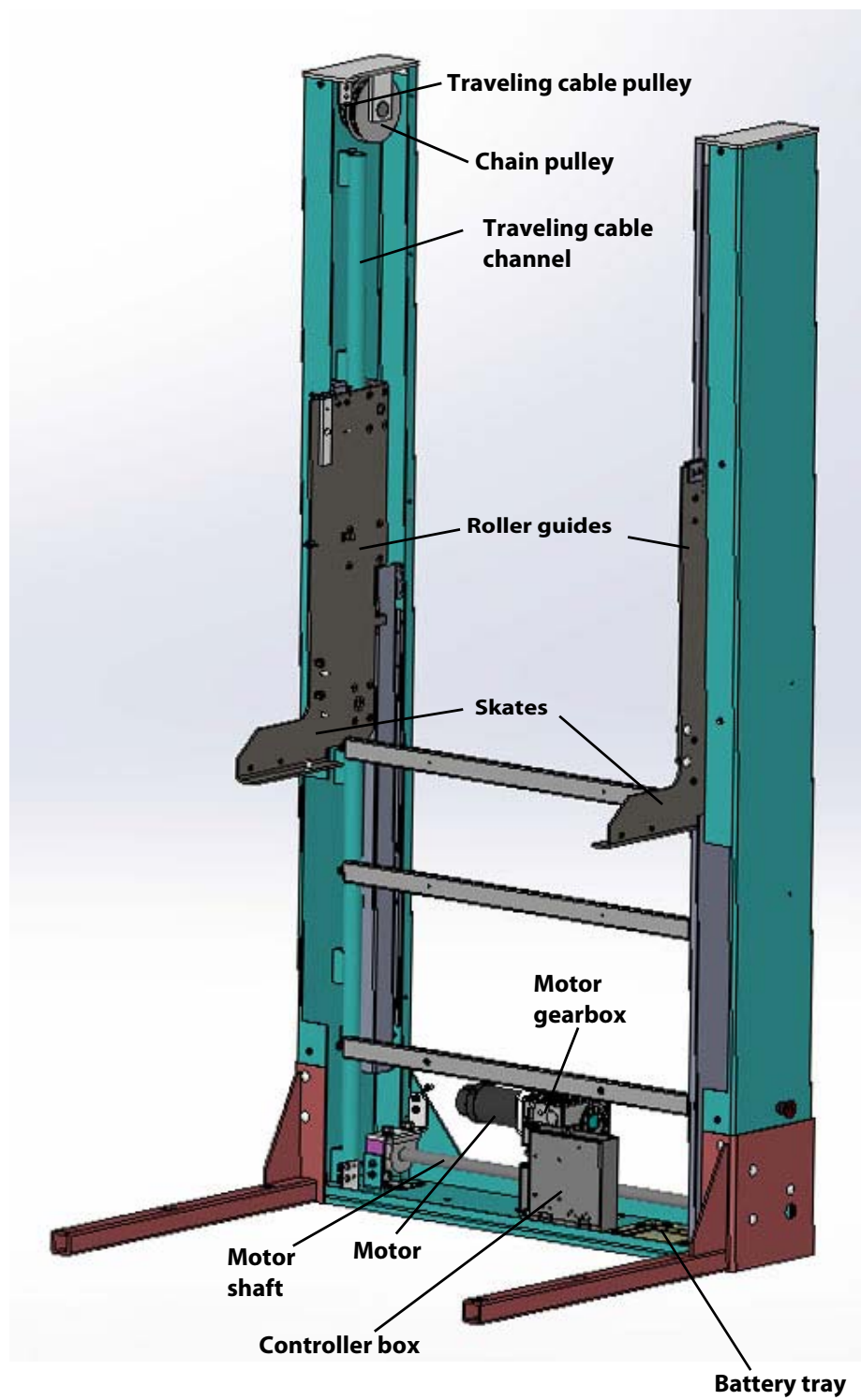
Exterior components

Figure 1: Exterior components



Interior components

Figure 2: Interior components



Specifications

M2LIFT Specifications

Specification	Specification Data
Load capacity	750 lb (340 kg)
Maximum travel	M2LIFT-40: 42" (1067 mm) M2LIFT-60: 62" (1575 mm) M2LIFT-75: 77" (1956 mm)
Levels serviced	2
Travel speed	9 ft/min (0.046 m/s)
Temperature	Indoor: +5 °F to +122 °F (-15 °C to +50 °C) Outdoor: -20 °F to +122 °F (-29 °C to +50 °C)
Noise level (for typical installation)	72.9 dBA (up direction); 50.0 dBA (down direction) Measured at a height of 1m, distance of 1m, in front of the motor with all panels on
Daily cycle	Normal: 10 Heavy: 25 Excessive: 40 Maximum starts in 1 hour on standard installation: 5 NOTE: Please consult your Sales Representative if there's a chance you may exceed these amounts.
Platform size	37 1/8" x 54 1/8" (9443 mm x 1375 mm)
Side wall height	42" (1067 mm)
Access	Front/rear access (Type 2)
Power supply	120 VAC, 15 A, 60 Hz, single phase
Drive system	Direct drive gear Chain suspension
Motor	24 VDC, 1.3 HP, geared
Controller	LUT125 PCB
Distance between 2 landings	12" (305 mm) minimum
Finish	Beige electrostatic powder coat paint on all steel and aluminum surfaces and vacuumed formed plastics
Standard features	24 VDC operation Wireless call/send stations at landings Constant-pressure type buttons Operating control buttons on platform Automatic battery recharging system (115 VAC) Low-voltage controls Limit switches Non-skid platform surface Automatic access ramp Emergency stop button (E-stop on COP) and alarm Pit switch (E-stop on tower) Safety underpan Motor safety brake Outdoor package
Safety features	Safety underpan Gate lock Motor safety brake Emergency stop button (E-stop on COP) Battery lowering Pit switch (E-stop on tower)

Site Construction Details

The self-supporting base must be able to support at least 3000 lb (13.3 kN) per Figure 3 and must be anchored to a concrete slab (or floor) per Figure 4. Make sure the slab (floor) surface is level.

Figure 3: Floor loading diagram

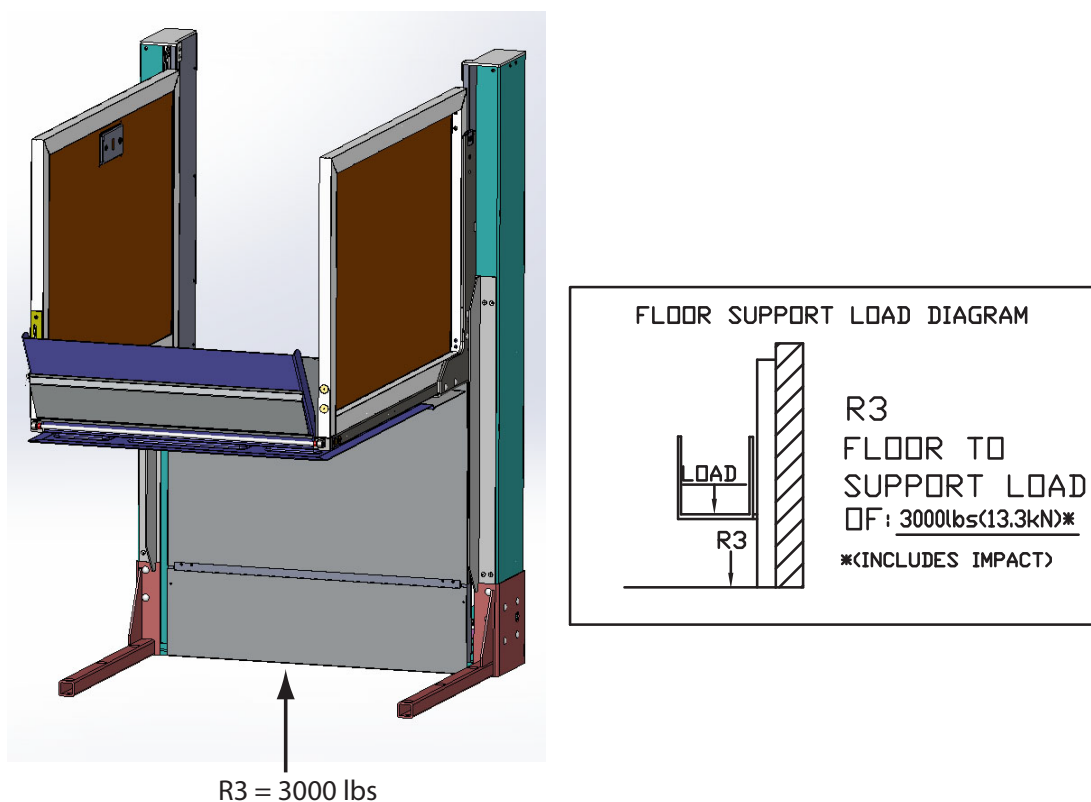


Figure 4: Anchor points

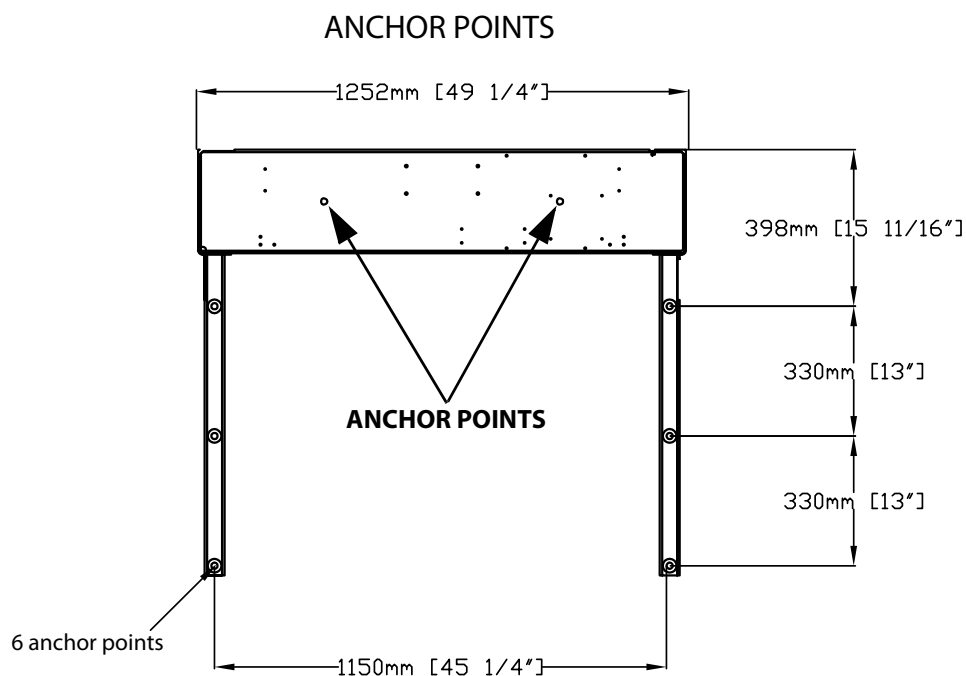
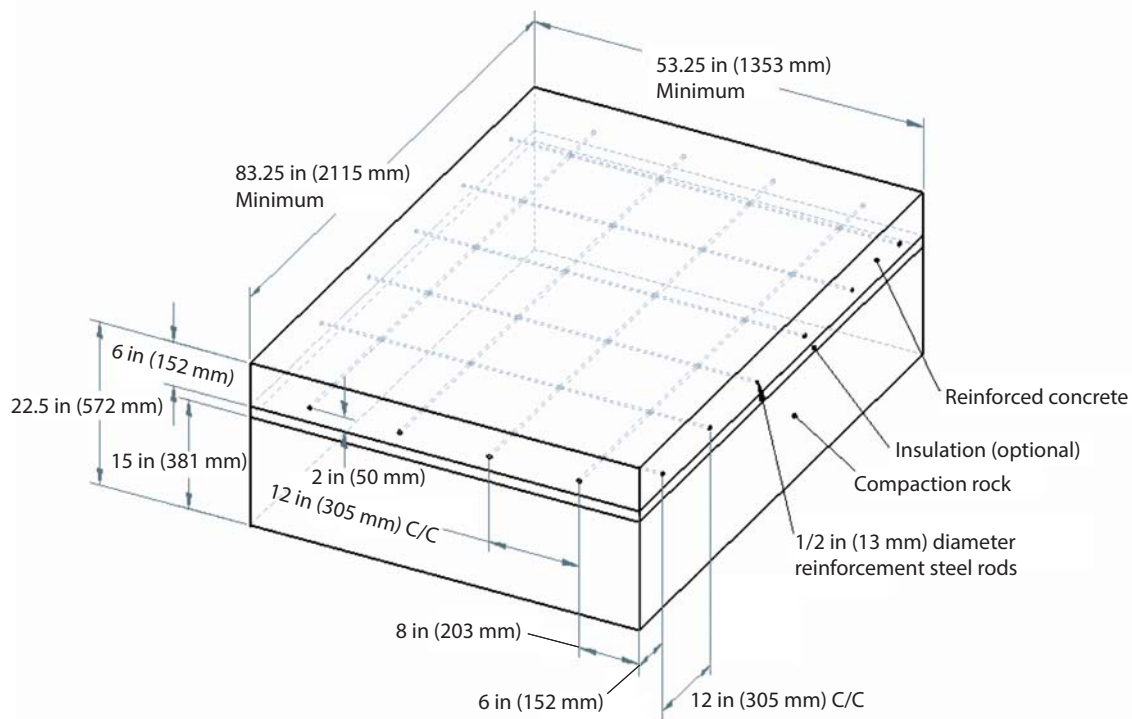


Figure 5 illustrates the concrete slab detail for a typical outdoor application.

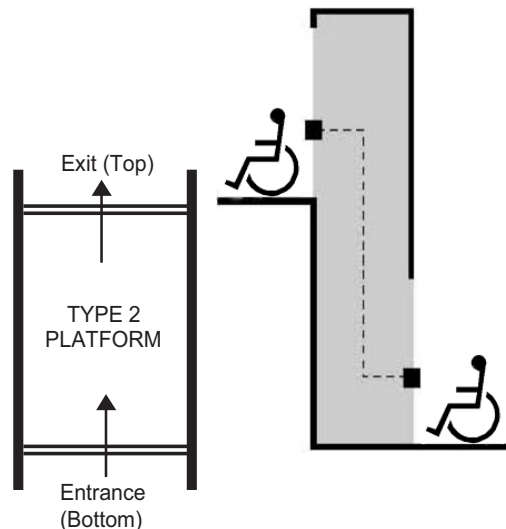
Figure 5: Concrete Slab Detail



Type 2 Configuration

For the type 2 configuration, entry and exit are available from both ends of the platform.

Figure 6: Type 2 configuration

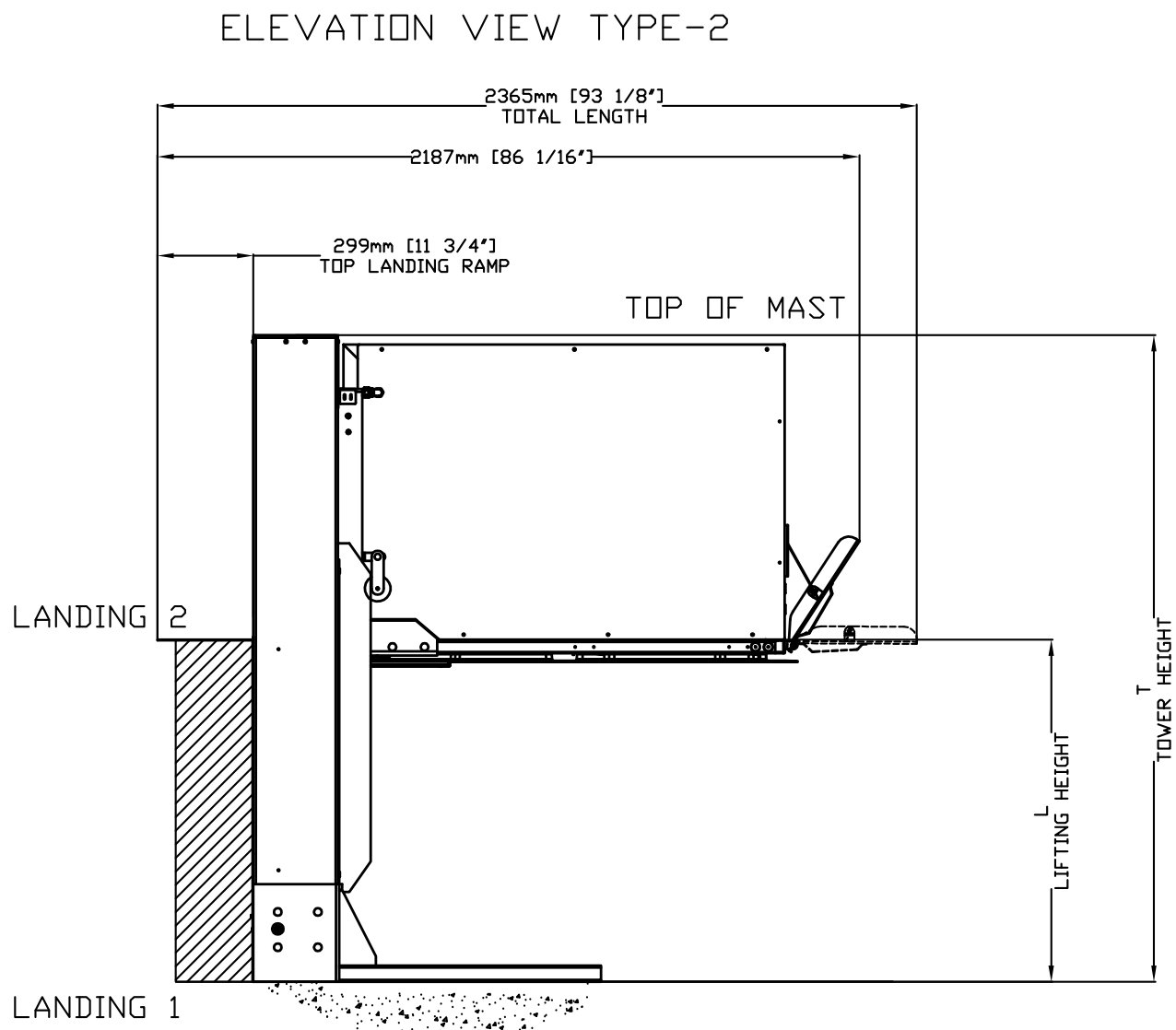


Drawings

The following drawings are provided:

- Elevation view
- Plan view
- Auto half gate, left-hand
- Auto half gate, right-hand

Figure 7: Elevation view



MODEL	T	L
40	79.5in(2016mm)	42in(1067mm)
60	99.5in(2524mm)	62in(1575mm)
75	114.5in(2905mm)	77in(1956mm)

Figure 8: Plan view

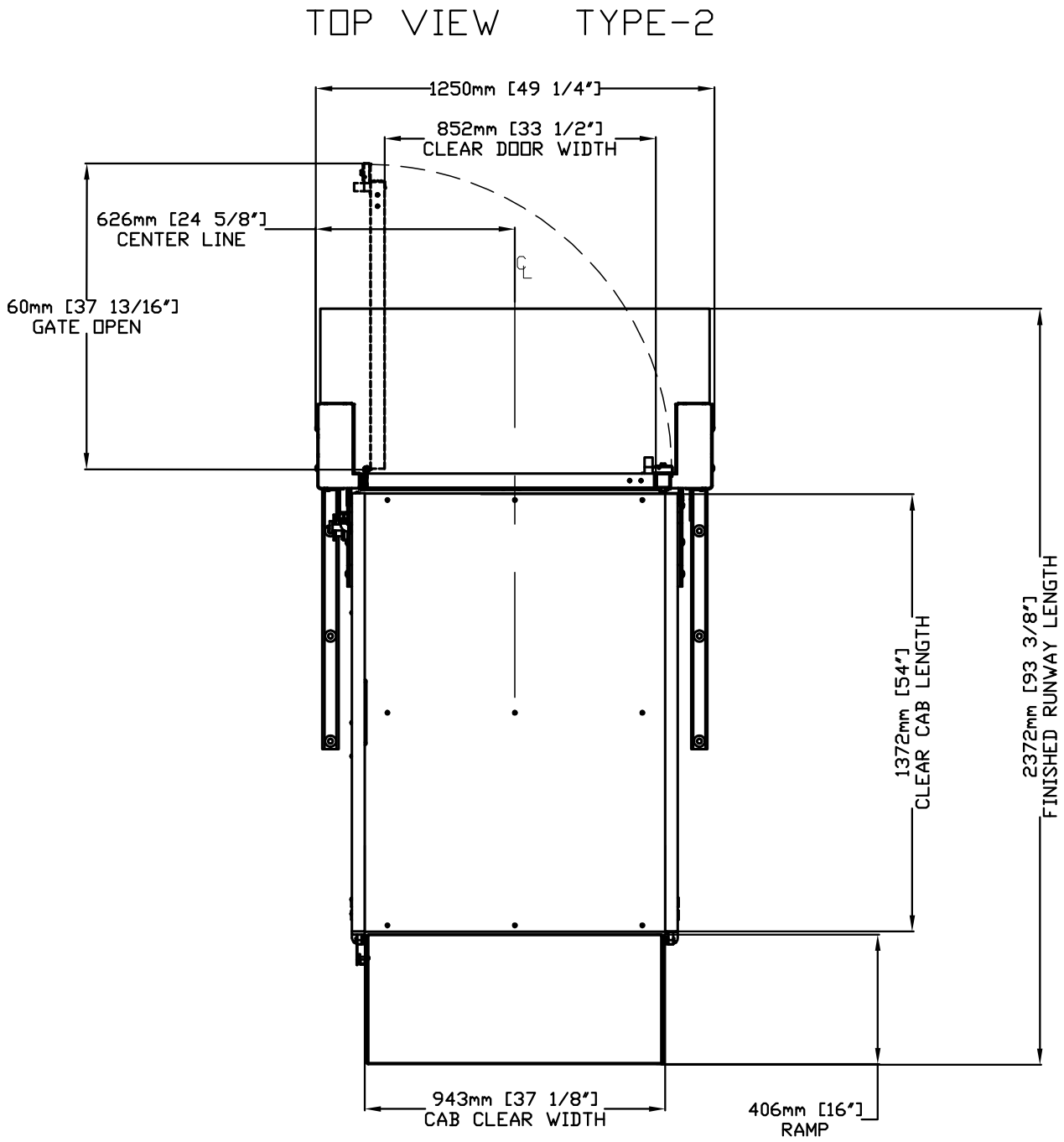
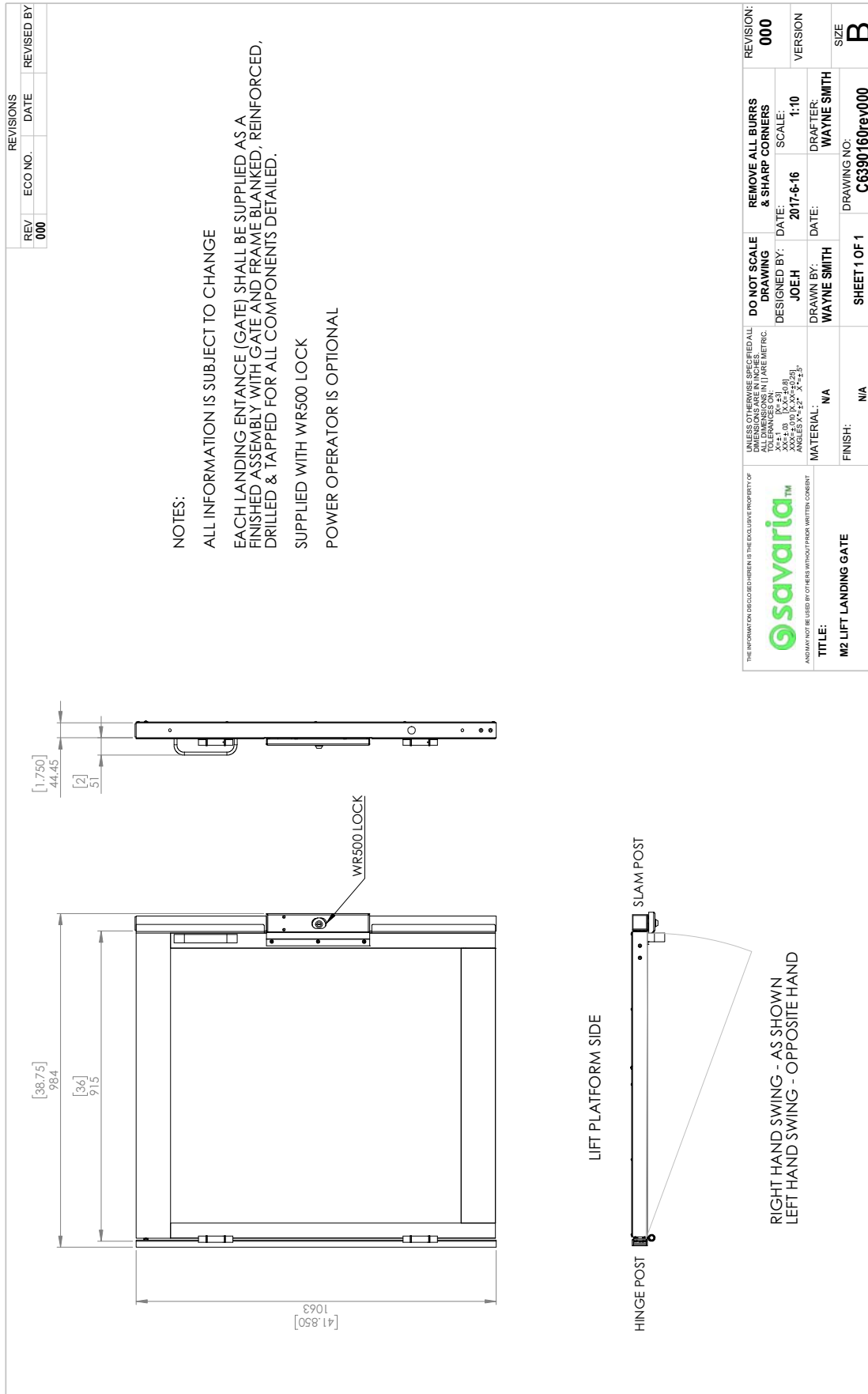


Figure 9: Landing gate



Provisions By Others

GENERAL REQUIREMENTS

Hoistway

The hoistway must be designed and built in accordance with “lifts for persons with physical disabilities” or “private residences lifts for persons with physical disabilities” and all provincial and local codes.

Plumb Runway

Due to close running clearances, the owner/agent must ensure that the hoistway and the pit (where provided) are level, plumb (+/- 1/8" (3 mm)), and square and are in accordance with the dimensions on the installation drawings.

Minimum Overhead Clearance

The owner/agent must ensure the minimum overhead clearance is in compliance with codes.

Construction Site

The owner/agent is required to provide all masonry, carpentry and drywall work as required and shall patch and make good (including finish painting) all areas where walls/floors may need to be cut, drilled or altered in any way to permit the proper installation of the lift.

Dimensions

The contractor/customer is required to verify all dimensions and report any discrepancies to our office immediately.

STRUCTURAL REQUIREMENTS

Floor/Support Wall Loads

Structure to anchor a crank shaft and safety harness, where applicable/needed, are to be provided by the contractor. Contractor is to ensure that the building and shaft will safely support all loads imposed by the lift. Refer to the floor support load diagram and anchor dimensions on the installation drawings. There are no wall loads as this unit can only be free standing.

Mast to be Securely Fastened

Where required, the mast must be securely fastened to the structural support floor. Refer to the installation drawings for the loads imposed by the equipment.

ELECTRICAL REQUIREMENTS

General

Electrical equipment and wiring must comply with Section 38 of CSA C22.1 (Canada) or Section 620 of NEC ANSI NFPA 70 (USA).

Power Supply

A 120 VAC, 15 A, 60 Hz, single-phase circuit through a fused disconnect.

Lighting

Lighting of 100 lux minimum is required at platforms and landings.

ENTRANCE REQUIREMENTS

Upper Landing Gates

Where required, smooth solid barriers are to be supplied and installed below the upper level.

Fascia Panel Below Upper Level Entrance

Fascia panel, supplied by Savaria, to be installed in between the lift tower and below the top gate.

M2LIFT PLANNING GUIDE

Part No. 001101
Copyright © 2018

Savaria Concord Lifts, Inc.
www.savaria.com

Sales
2 Walker Drive
Brampton, Ontario L6T 5E1
Canada
Tel: (905) 791-5555
Fax: (905) 791-2222
Toll Free: 1-800-661-5112

