

Model 260 Curved-rail Stairlift

Dimensional Drawing

SPECIFICATIONS

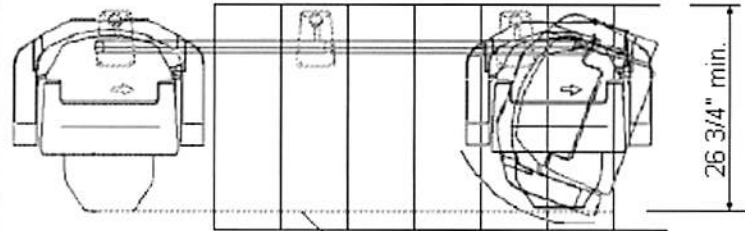
Rated Load: 265lbs
 Speed: 22 feet/minute
 Travel: 1250' Max.
 Power supply: 115V AC, 60Hz, non-grounded outlet
 Incline limits: 0° to 52°
 Complies with ASME A17.5 and A18.1a
 CSA approved for USA/Canada

STANDARD EQUIPMENT

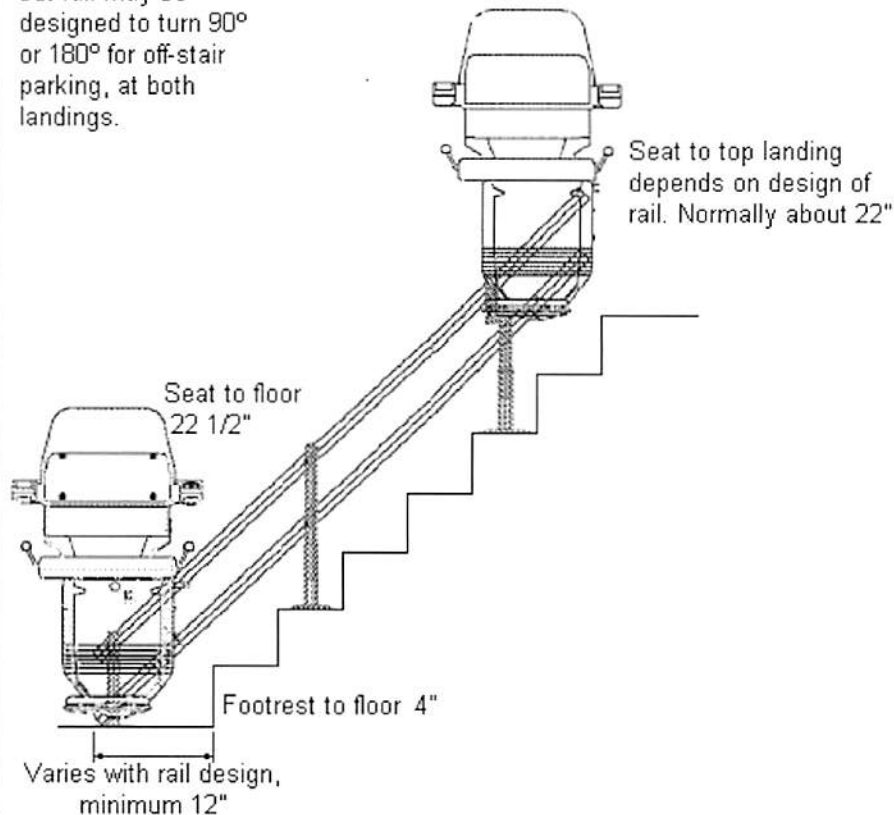
Drive System: Rack and Pinion, on back of bottom tube
 Motor: 1/3hp, 24V DC with soft start/stop
 Brake: Electric
 Rail: two 1 1/4" steel tubes
 Finish: 'Pearl' powder coated
 Upholstery: Five optional colors
 Seat: 19" wide with two fold-up arms and 30°, 60°, 80° locking swivel seat (swivel levers on both sides of chair)
 Controls: Constant pressure up/down controls on chair arm, and radio-control remotes on both landings
 Safety devices:
 Two-way obstruction sensor on footrest
 Obstruction sensors on both sides of carriage
 Key lock
 Seat belt
 Over-speed governor
 Battery Isolation Switch
 Final limit switch (top and bottom)
 Power cut-off when seat is swiveled
 Seat swivels to face upstairs only
 Non-slip armrest design
 Non-slip footrest carpet

OPTIONAL EQUIPMENT

Intermediate stop/charge points
 Powered Swivel seat
 Hand-held remote control
 Lap-diagonal seat belt
 Five-point full harness seat belt
 Battery Isolation Switch lockout
 2252 keys ('Chicago locks') on all controls



Chair folds to 15 3/4" but rail may be designed to turn 90° or 180° for off-stair parking, at both landings.

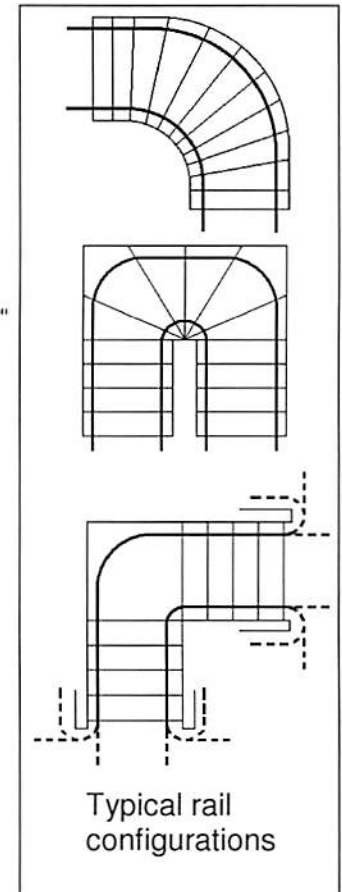


Stannah

Stannah Stairlifts Inc.

20 Liberty Way, Ste A
 Franklin, MA 02038
 Phone (508) 520-7878
 Fax (508) 520-7883

www.StannahStairlifts.com

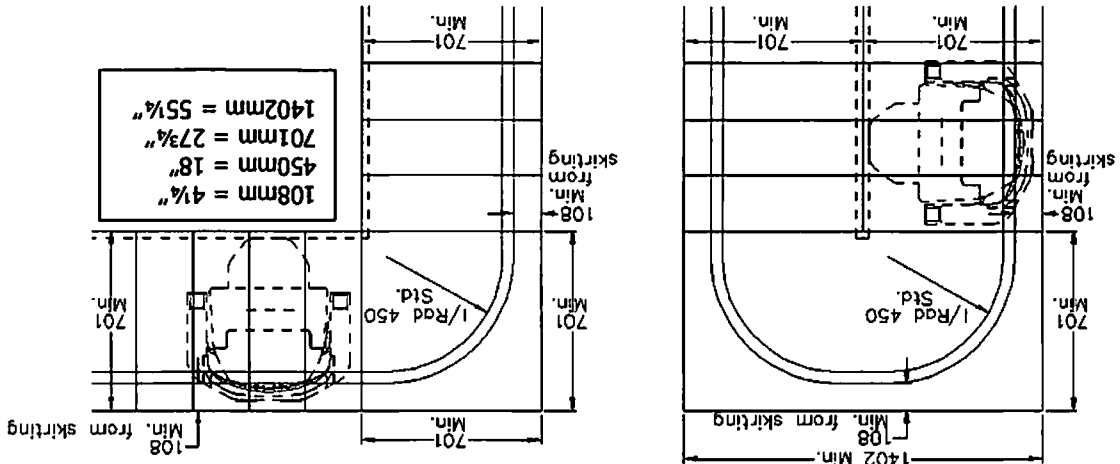


Information subject to change without notice. All dimensions nominal.

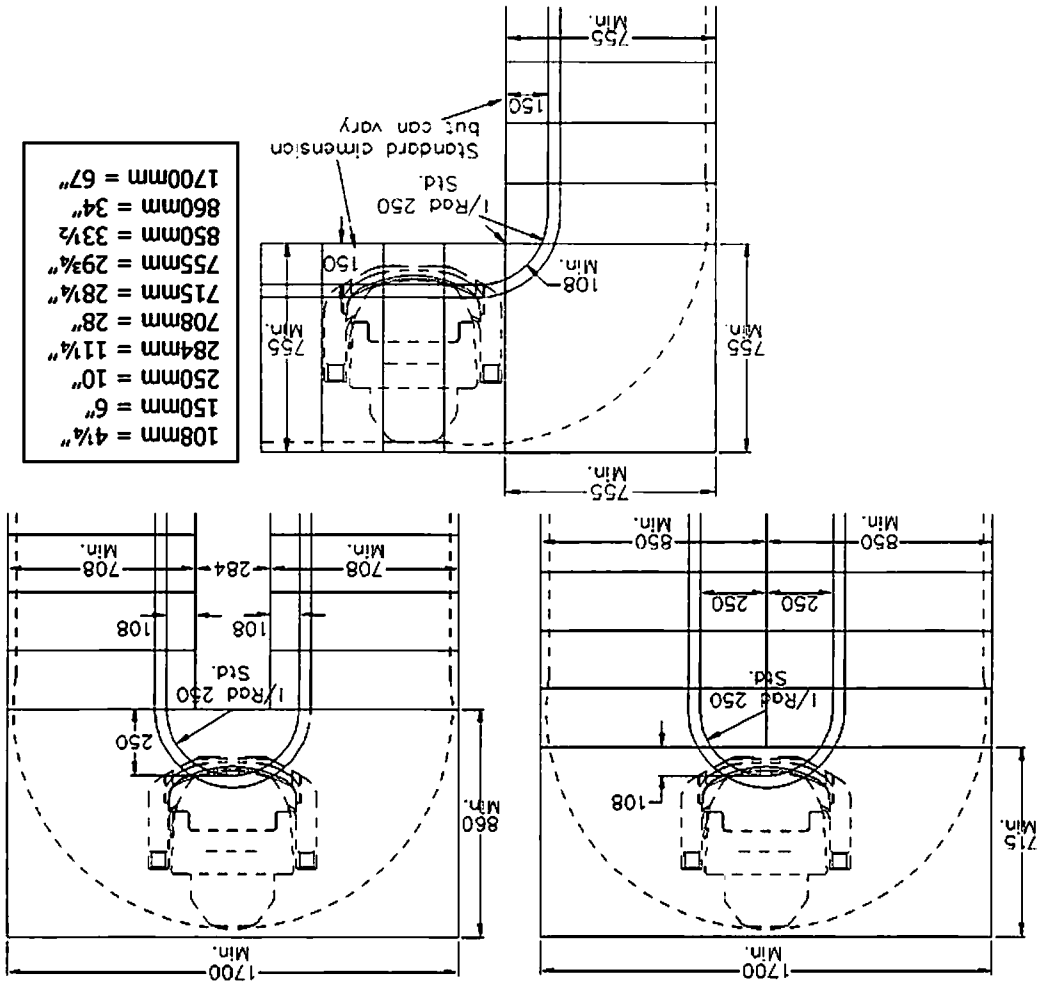
Minimum Staircase Dimensions for Stannah 260 Model

A Reduced Footrest has been used, and does not take into account the customer's spine to knees/toes dimension, or any obstructions. A Reduced Footrest is 18mm (¾") shorter than a Standard Footrest.

Stairlifts travelling along the outside of a Staircase



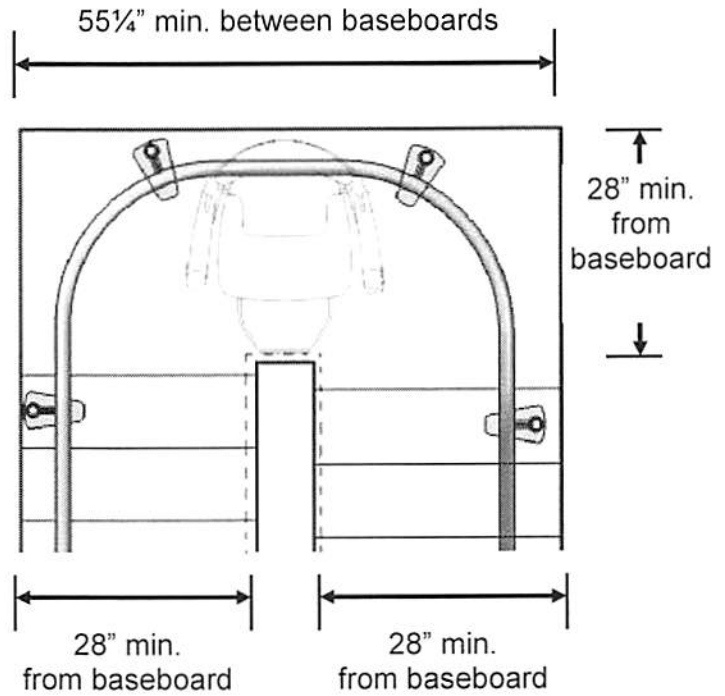
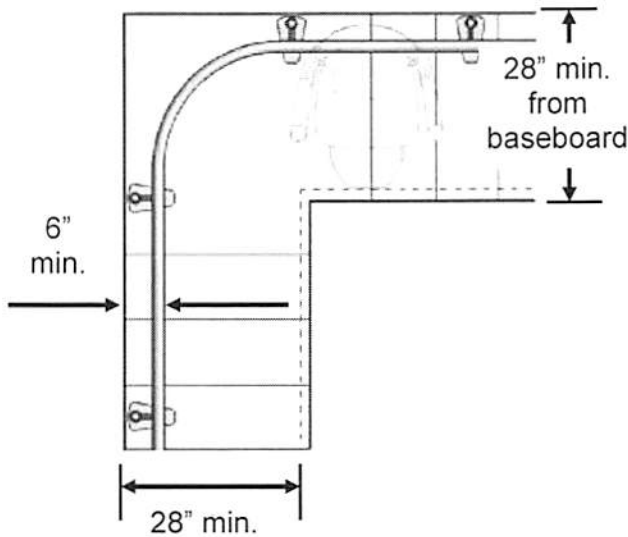
Stairlifts travelling along the inside of a Staircase



Minimum Staircase Dimensions for Stannah 260 Model

Dimensions shown do not take into account the customer's spine to knees/ toes dimension, or any obstructions. Rail diameter = 1 3/4"

Stairlifts Traveling Along the Outside of a Staircase



Stairlifts Traveling Along the Inside of a Staircase

