

# Pinnacle® Stair Lift

## General Specifications:

**Rated Load** 350 lbs.  
**Incline Limits\*** 27° to 52°  
**Return Trips/Charge** 20 - 50  
**Speed** 18 feet per minute  
**Switchable Arms** Yes  
**Switchable Side to Side** Yes  
**Power Supply** 24 VDC, 2 Amps  
**Charger Input** 115 VAC grounded outlet  
**Drive System** Plastic Worm / Rack  
**ETL Listed - Control No.** 3148125  
**Lift Meets - ASME A18.1 - 2008, Section 4 & 7**  
**ASME A17.5 - 2011 & CSA B44.1-11**

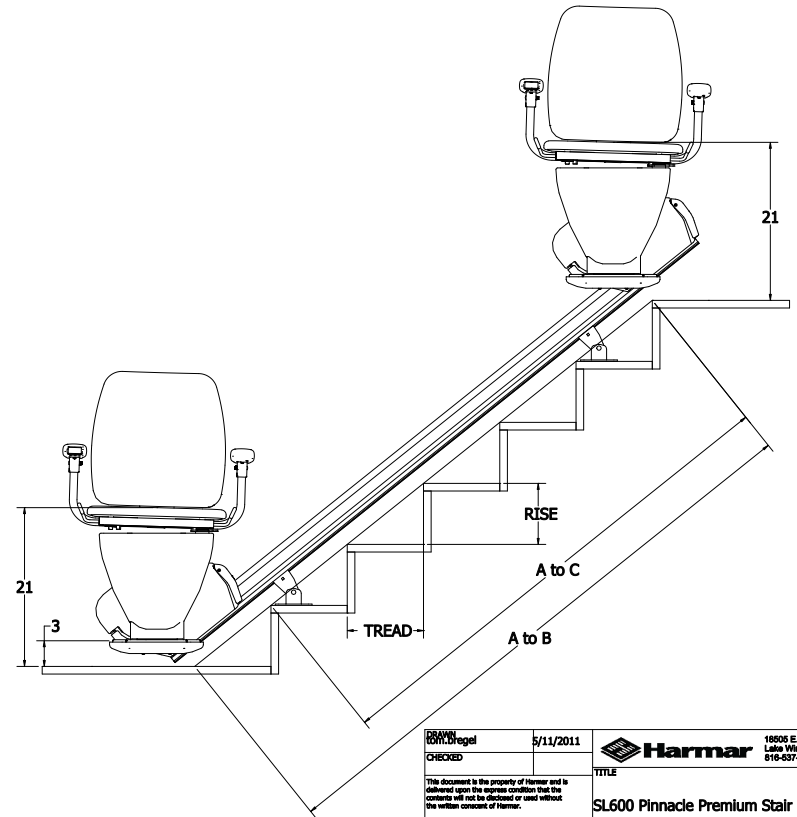
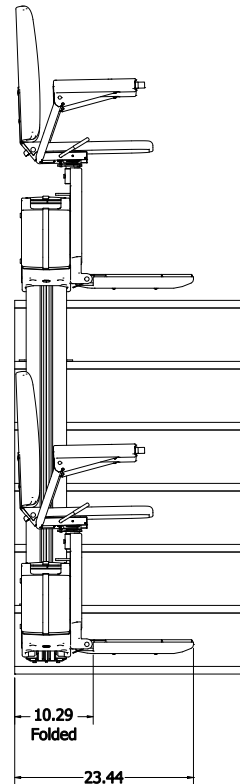
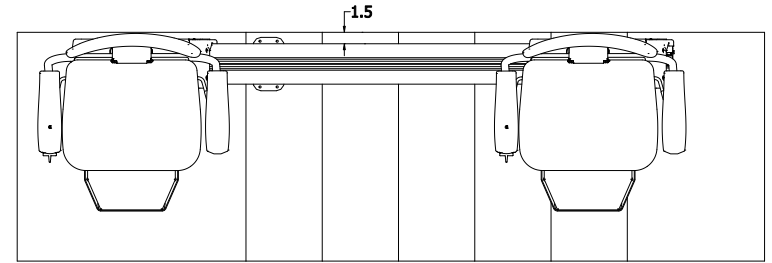
## Safety Devices:

**Overspeed Brake**  
**Footrest Obstruction**  
**Swivel Seat Cut-Off**  
**Final Limits**  
**Up / Down Limits**  
**Seat Belt**  
**Chassis Obstruction**  
**Motor Brake**

## Optional:

**Battery Breaker Switch**  
**Folding Rail**  
**Keylock on Lift**

\* Inclines above 45° may require local jurisdiction approval



<b>DESIGN</b> Tom Dregel <b>CHECKED</b> <small>This document is the property of Harmar and is delivered upon the express condition that the contents will not be disclosed or used without the written consent of Harmar.</small>	5/11/2011 <b>Harmar</b> 16805 E. 168th St. Littleton, Colorado, MO 64034 816-837-0811	<b>TITLE</b> SL600 Pinnacle Premium Stair Lift	<b>REV</b> 1 of 1
<b>THIRD ANGLE PROJECTION</b> 	Television 1/80 3" A.3 3/4" A.50 3/16" A.200 1/16" A.500 Ang. A.5°	<b>SIZE</b> FINISH <b>DWG NO</b> pinnacle typ	<b>SCALE</b>