

TECHNICAL DATA/SPECIFICATION

MODEL: SRE-2010 ELITE

RATED LOAD: 400 LBS, ONE PASSENGER

POWER SOURCE: 24 VOLT DC COMPRISED OF (2) 7 AMP/HR

12 VOLT SEALED BATTERIES

100-240 VOLT AC 1.5 AMP, 24 VOLT DC 2 AMP

CONTINUOUS MONITORING CHARGER.

DRIVE: 24 VOLT DC DIRECT DRIVE GEAR-MOTOR, 2 POLE

RATED .68 HP, 58:1 RIGHT ANGLE SELF LOCKING

GEARBOX, 41.5 RPM NO LOAD RPM OUTPUT SPEED.

SUSPENSION: RACK & PINION - INTEGRATED 8DP GEAR RACK

ON RAIL WITH A SPUR GEAR ON THE OUTPUT

SHAFT OF THE GEAR BOX.

BRAKING: DYNAMIC MOTOR BRAKING THROUGH THE MOTOR

CONTROLLER, SELF LOCKING WORM GEAR, AND

ELECTRO-MECHANICAL MOTOR BRAKE.

CONTROLS: CONTINUOUS PRESSURE ROCKER SWITCH LOCATED

ON THE ARM REST AND WALL MOUNTED CALL/SEND

CONTROLS LOCATED AT BOTH THE TOP AND BOTTOM

LANDINGS.

ANGLES: 0 TO 45 DEGREES (SPECIALS UP TO 50 DEGREES) RIGHT

OR LEFT HAND ORIENTATIONS.

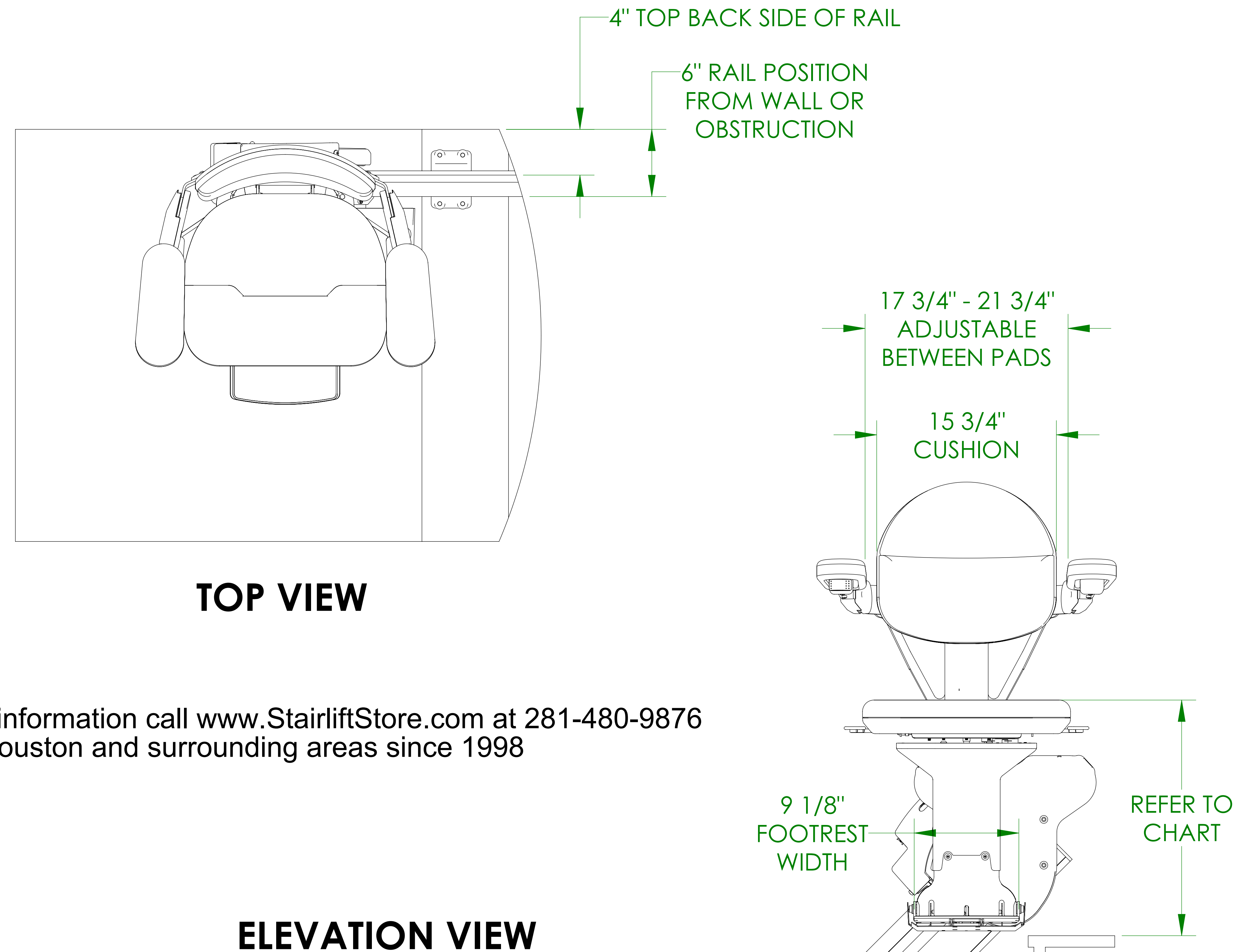
KEYED CONTROL ON CARRIAGE

FINAL LIMIT SWITCH STANDARD

OPTIONS:

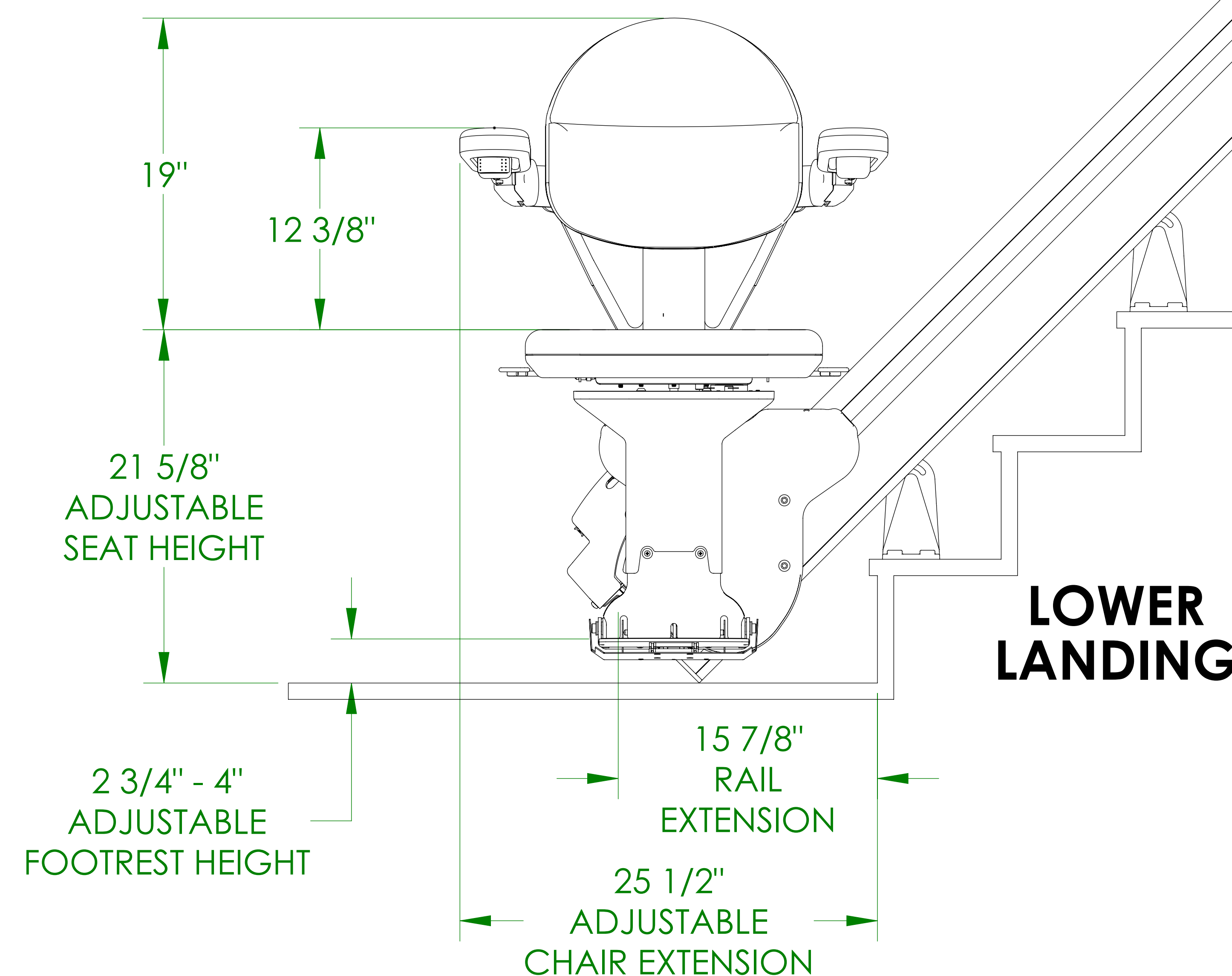
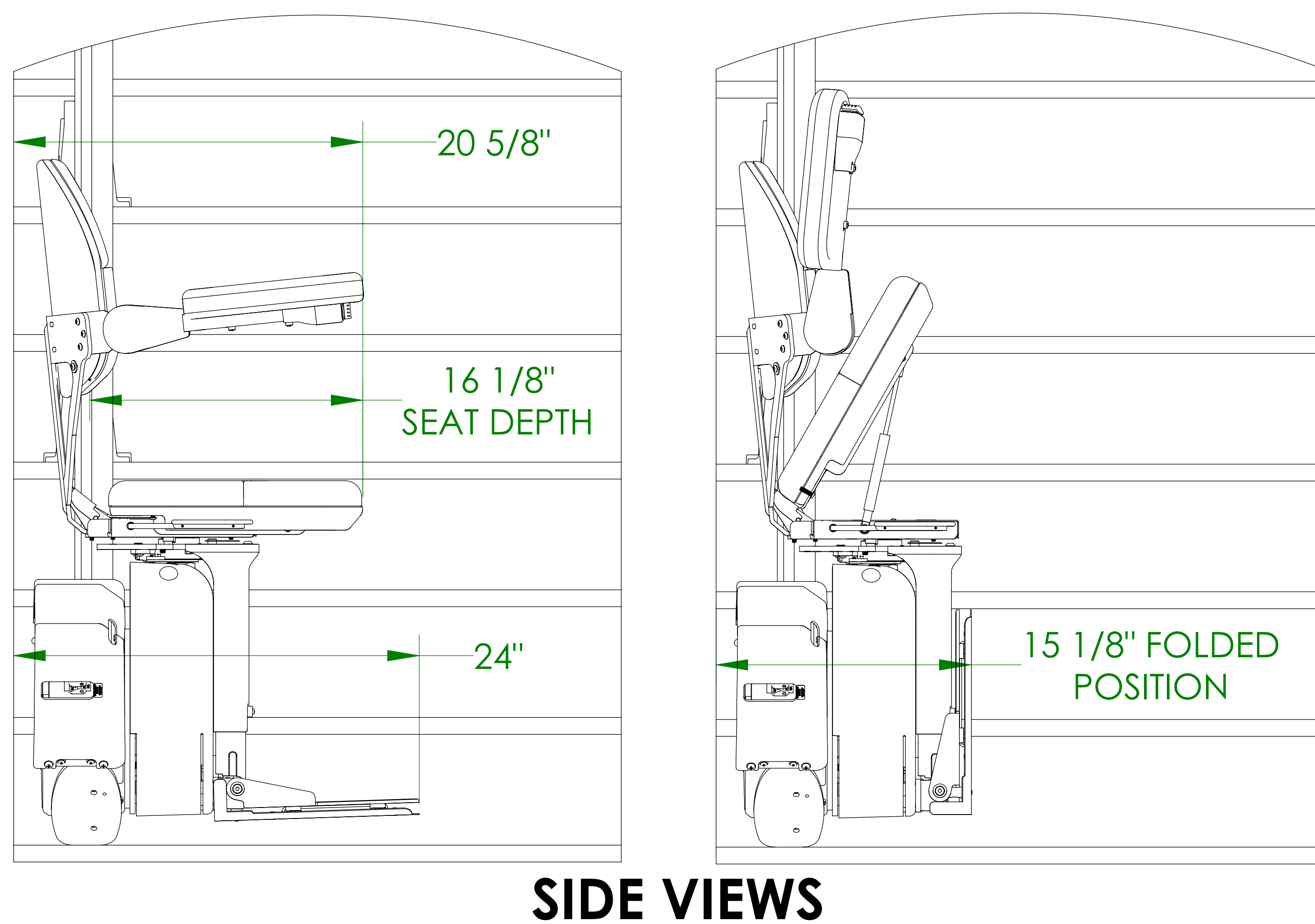
1) KEYED CALL/SEND CONTROLS,

2) COMMERCIAL PACKAGE W/OVERSPEED SAFETY BRAKE.



For more information call www.StairliftStore.com at 281-480-9876
Serving Houston and surrounding areas since 1998

LOWER LANDING EXTENSION DIMENSIONS ARE BASED ON 45 DEGREE RAIL SLOPE ON AN 8" 1ST RISER HEIGHT, DIMENSIONS WILL VARY BASED ON SLOPE AND RISER HEIGHT.



1780 Executive Drive
Oconomowoc, WI 53066
Tel 800-882-8181
Fax 262-953-5501
www.bruno.com

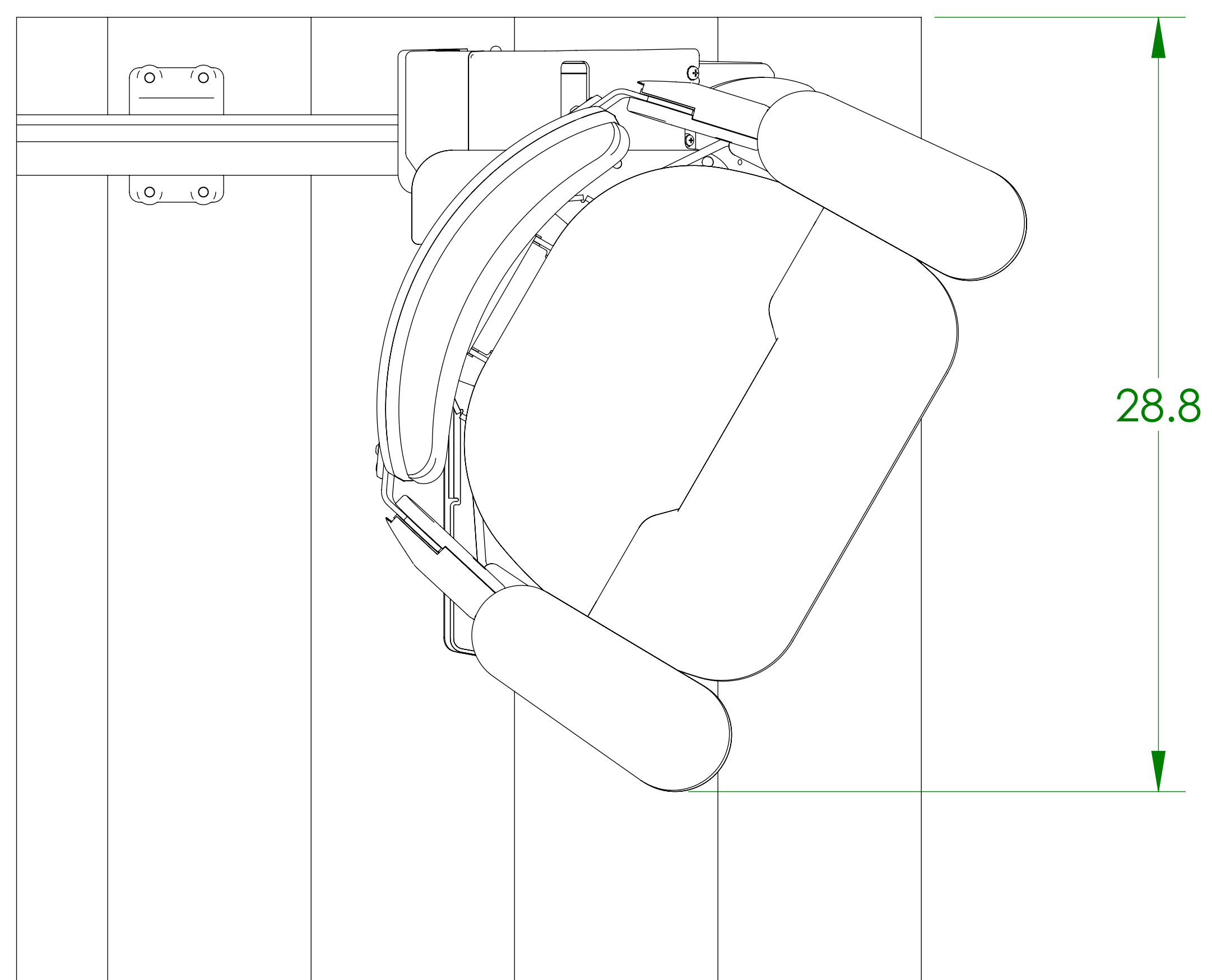
BRUNO[®]
for your independence

©Bruno Independent Living Aids, Inc.

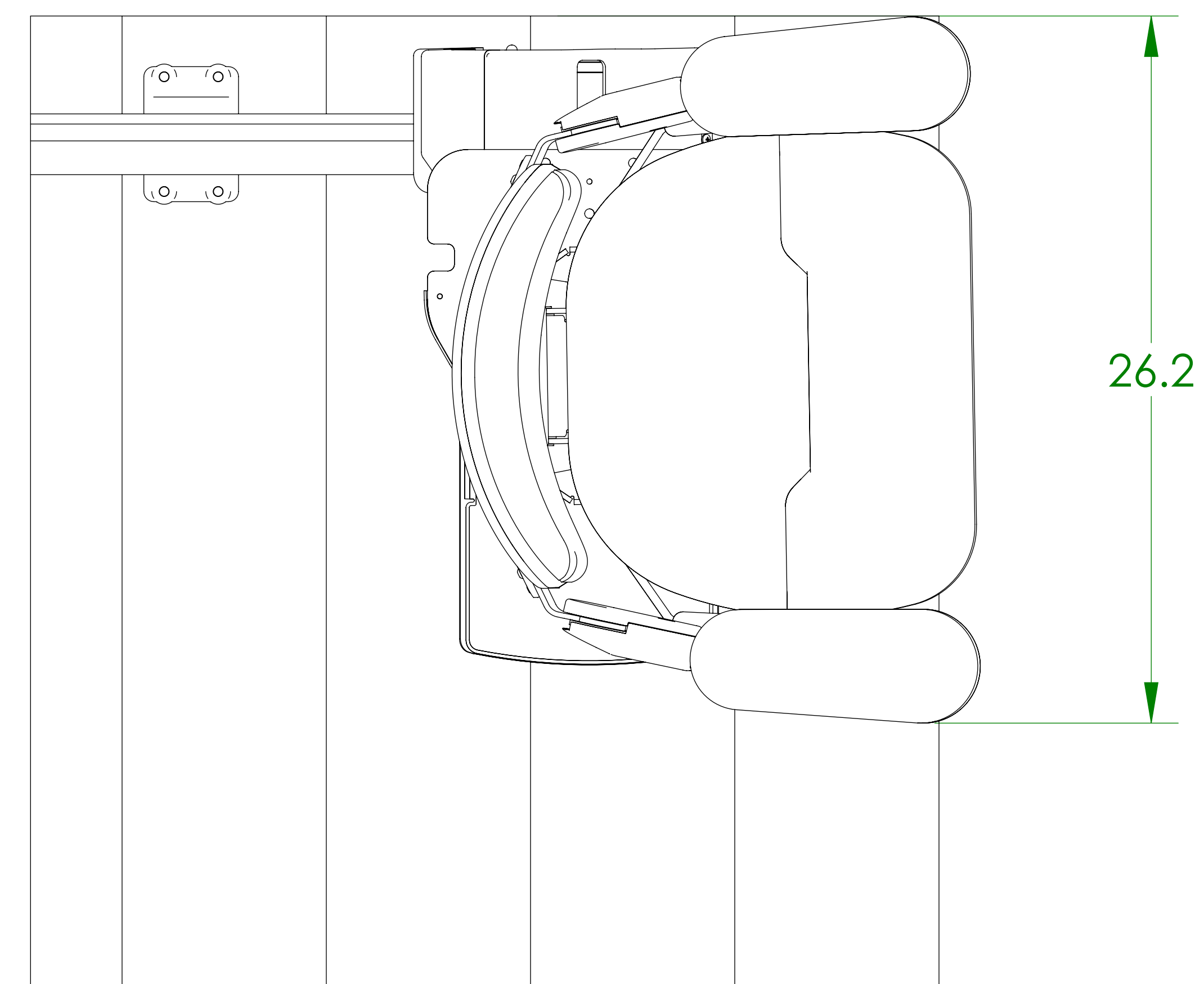
ILS-01343
SHEET 1 OF 3
REV. 1 (6456)(9/01/17)(BHM)

SRE-2010

DISTANCE FROM WALL - SEAT SWIVELED



SEAT SWIVELED 60°

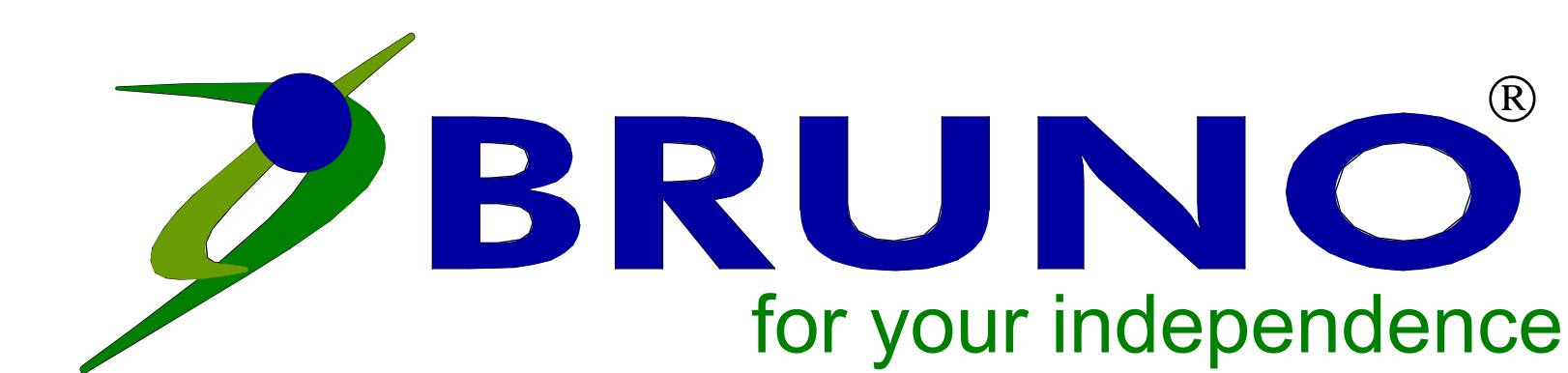


SEAT SWIVELED 90°

For more information call www.StairliftStore.com at 281-480-9876
Serving Houston and surrounding areas since 1998

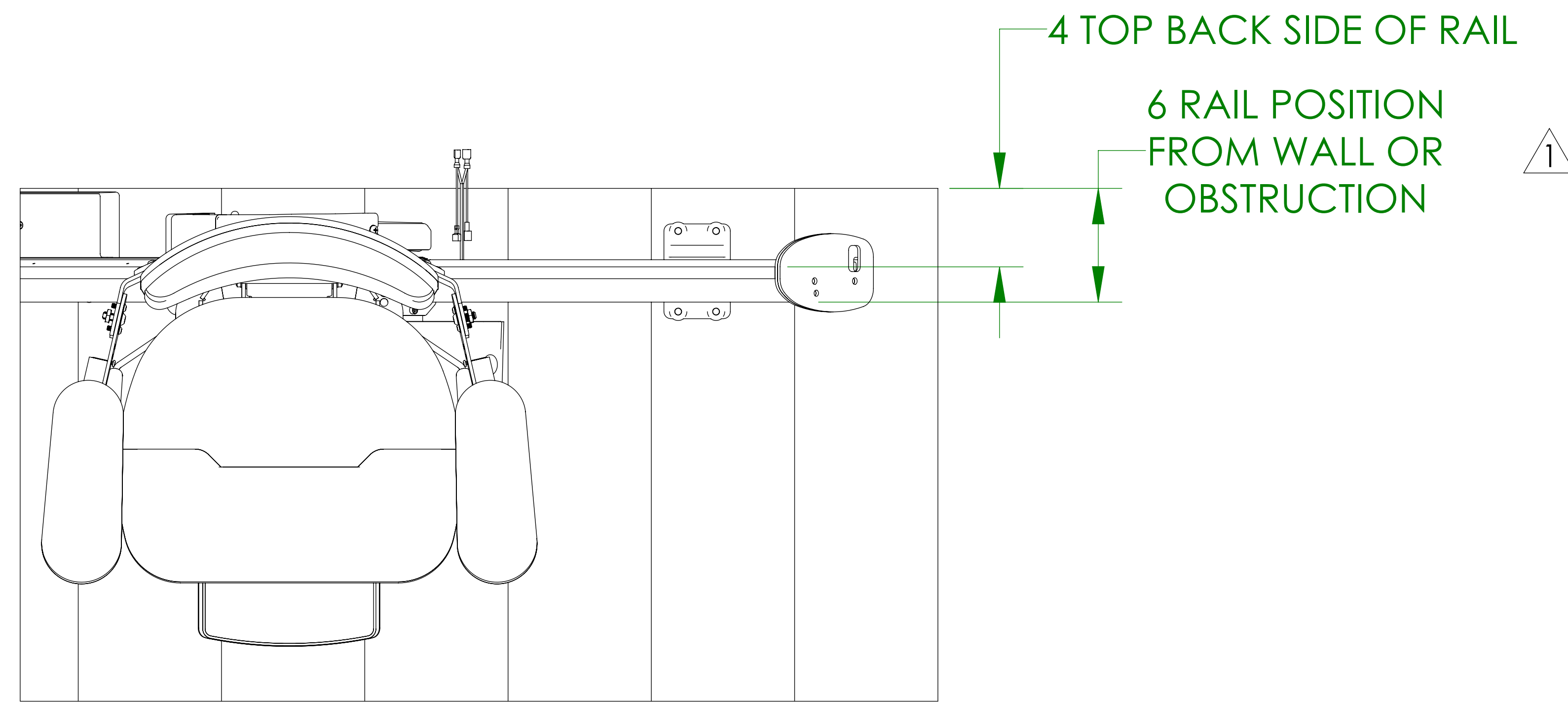
1780 Executive Drive
Oconomowoc, WI 53066
Tel 800-882-8181
Fax 262-953-5501
www.bruno.com

ILS-01343
SHEET 2 OF 3
REV. 1 (6456)(9/01/17)(BHM)



©Bruno Independent Living Aids, Inc.

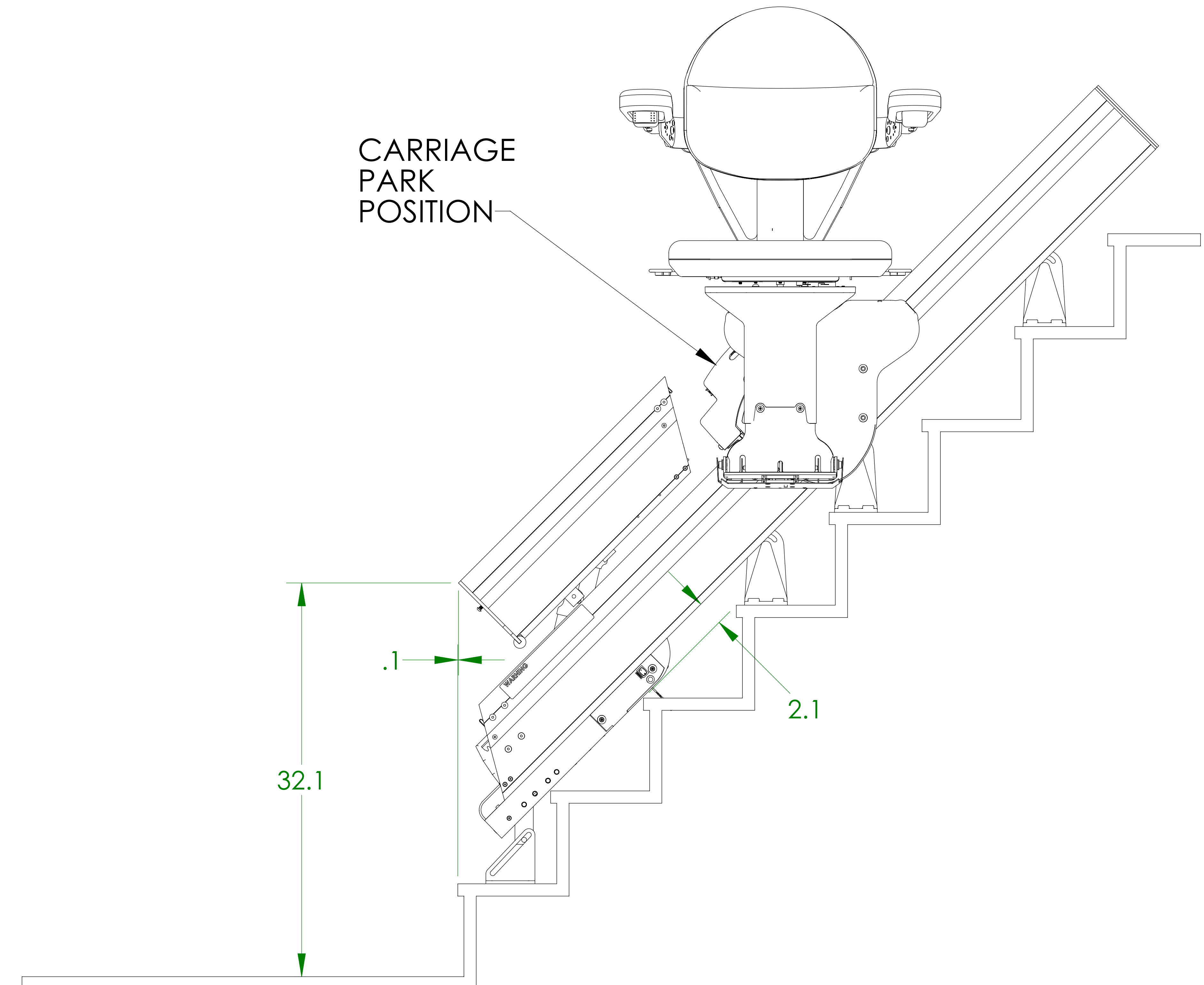
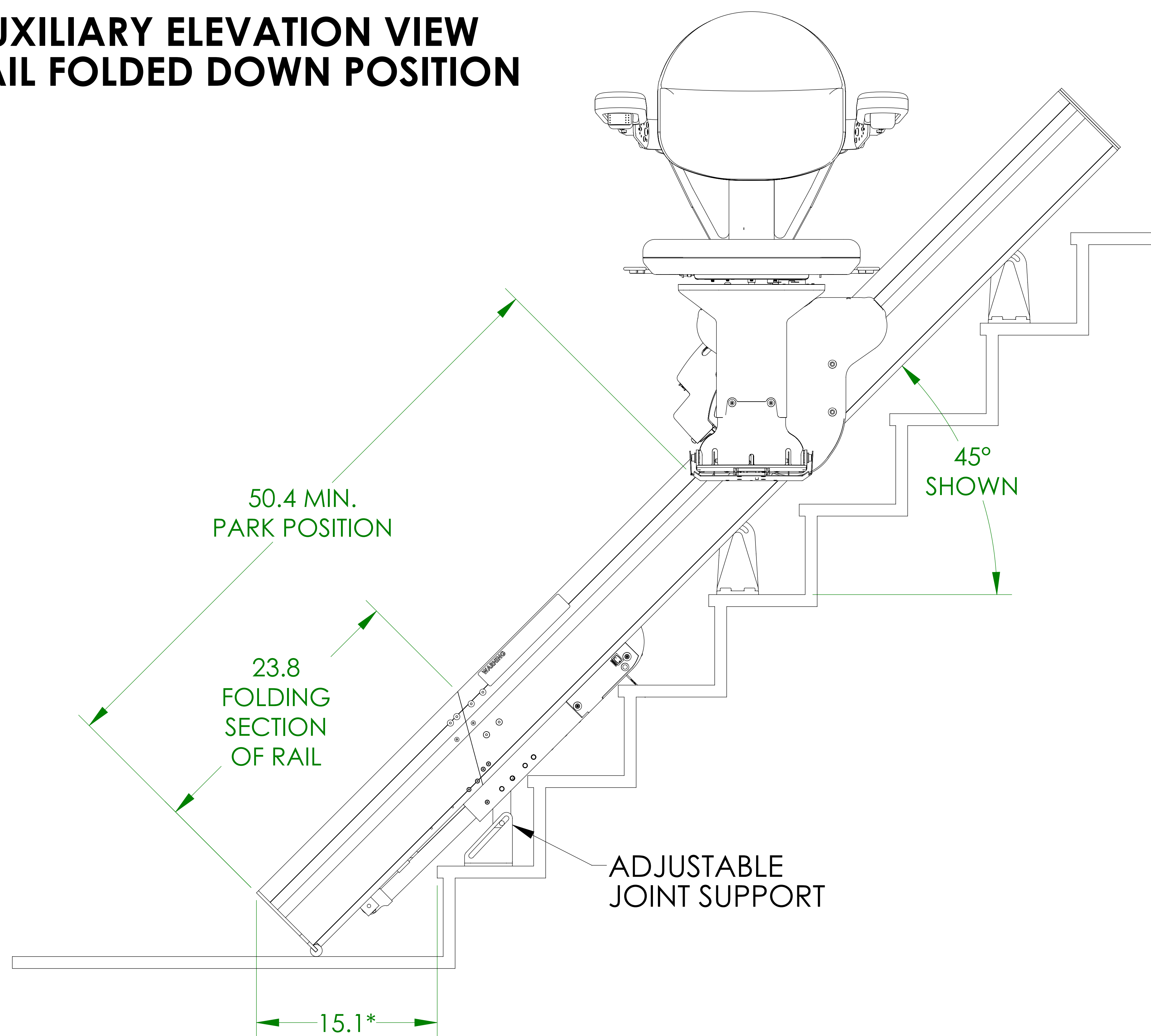
FOLDING RAIL



TOP VIEW

AUXILIARY ELEVATION VIEW
RAIL FOLDED UP POSITION

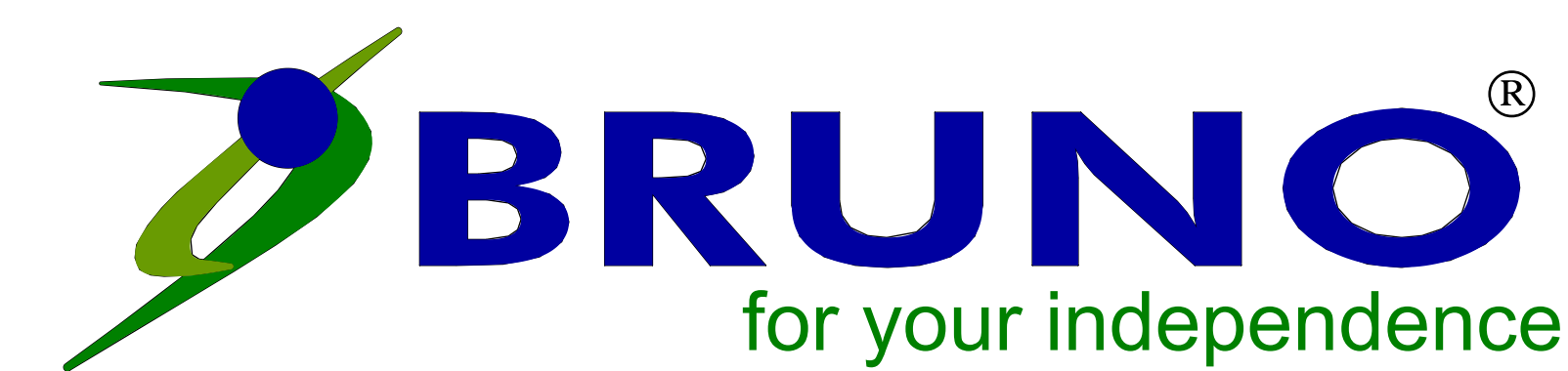
AUXILIARY ELEVATION VIEW
RAIL FOLDED DOWN POSITION



*LOWER LANDING EXTENSION DIMENSIONS ARE BASED ON 45° RAIL SLOPE AND 8" RISER HEIGHT. DIMENSIONS WILL VARY BASED ON SLOPE AND RISER HEIGHT.

For more information call www.StairliftStore.com at 281-480-9876
Serving Houston and surrounding areas since 1998

1780 Executive Drive
Oconomowoc, WI 53066
Tel 800-882-8181
Fax 262-953-5501
www.bruno.com



©Bruno Independent Living Aids, Inc.