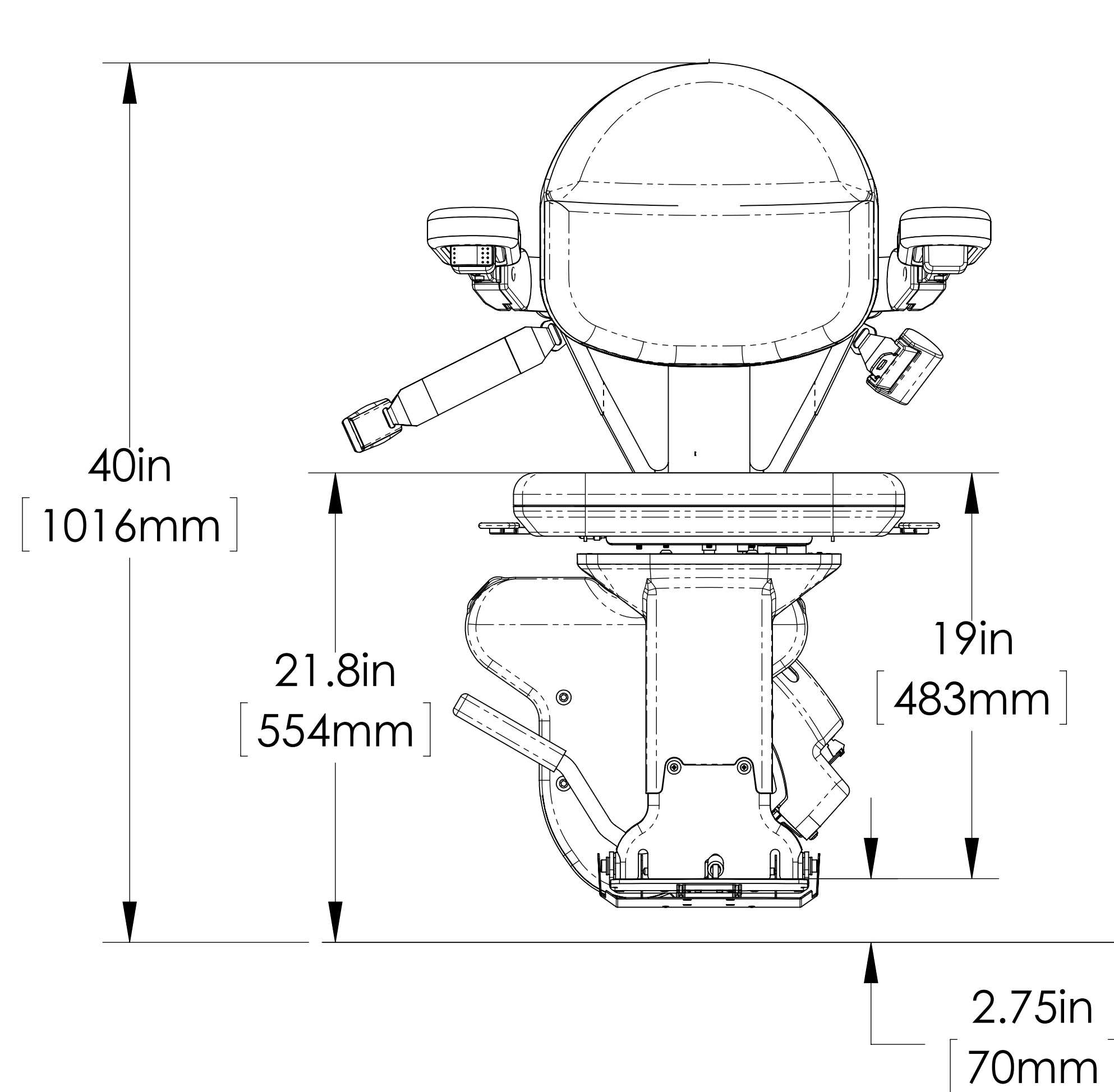


ELITE POWER OPTIONS TYPICAL DRAWING

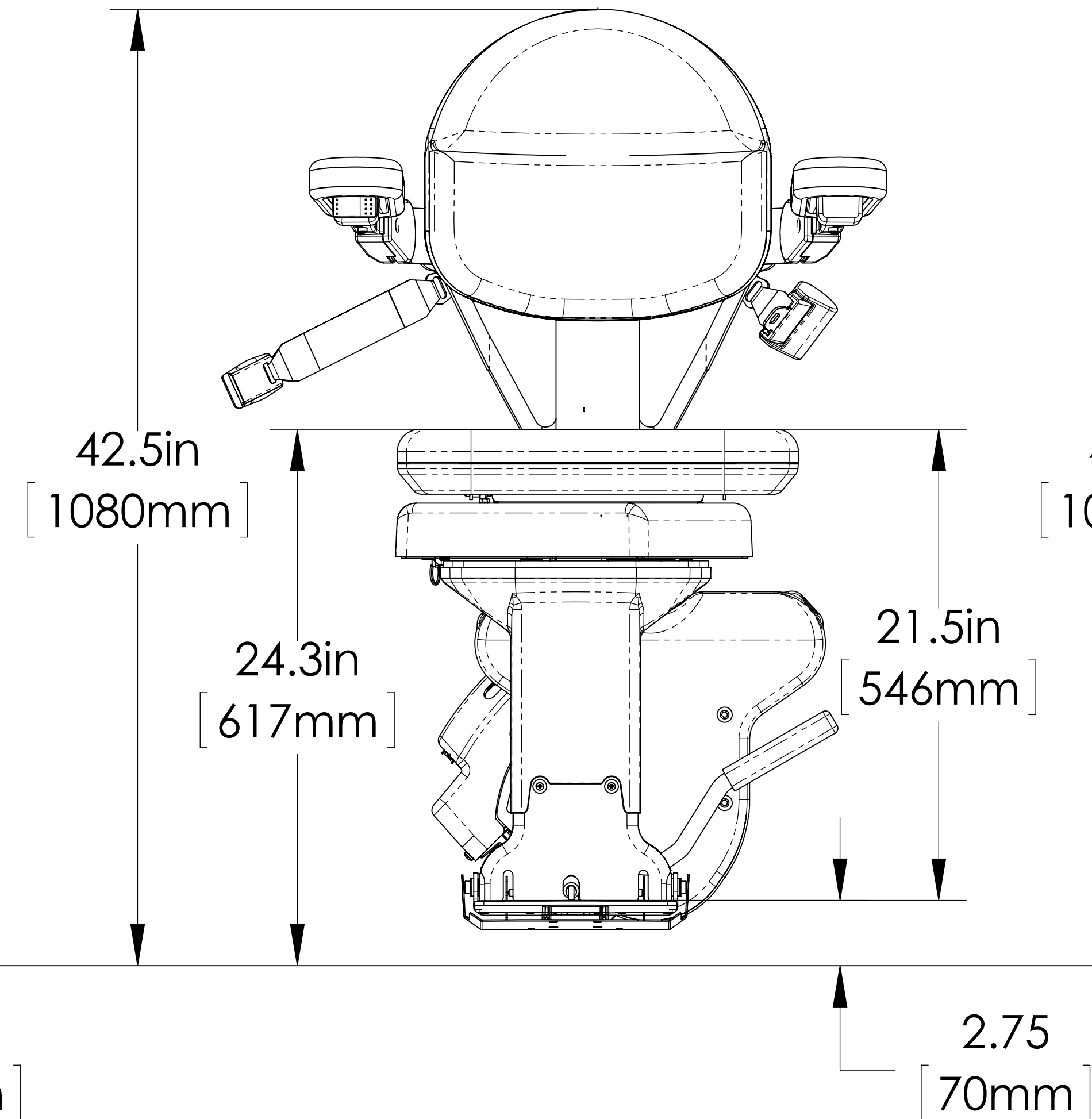
SUPPLEMENTAL SEAT AND FOOTREST DIMENSION FOR POWER OPTIONS

CARRIAGE AND SEAT ELEVATION VIEW
SEAT AND FOOTREST SHOWN IN LOWEST POSITIONS
FOR RIGHT HAND INSTALLATIONS

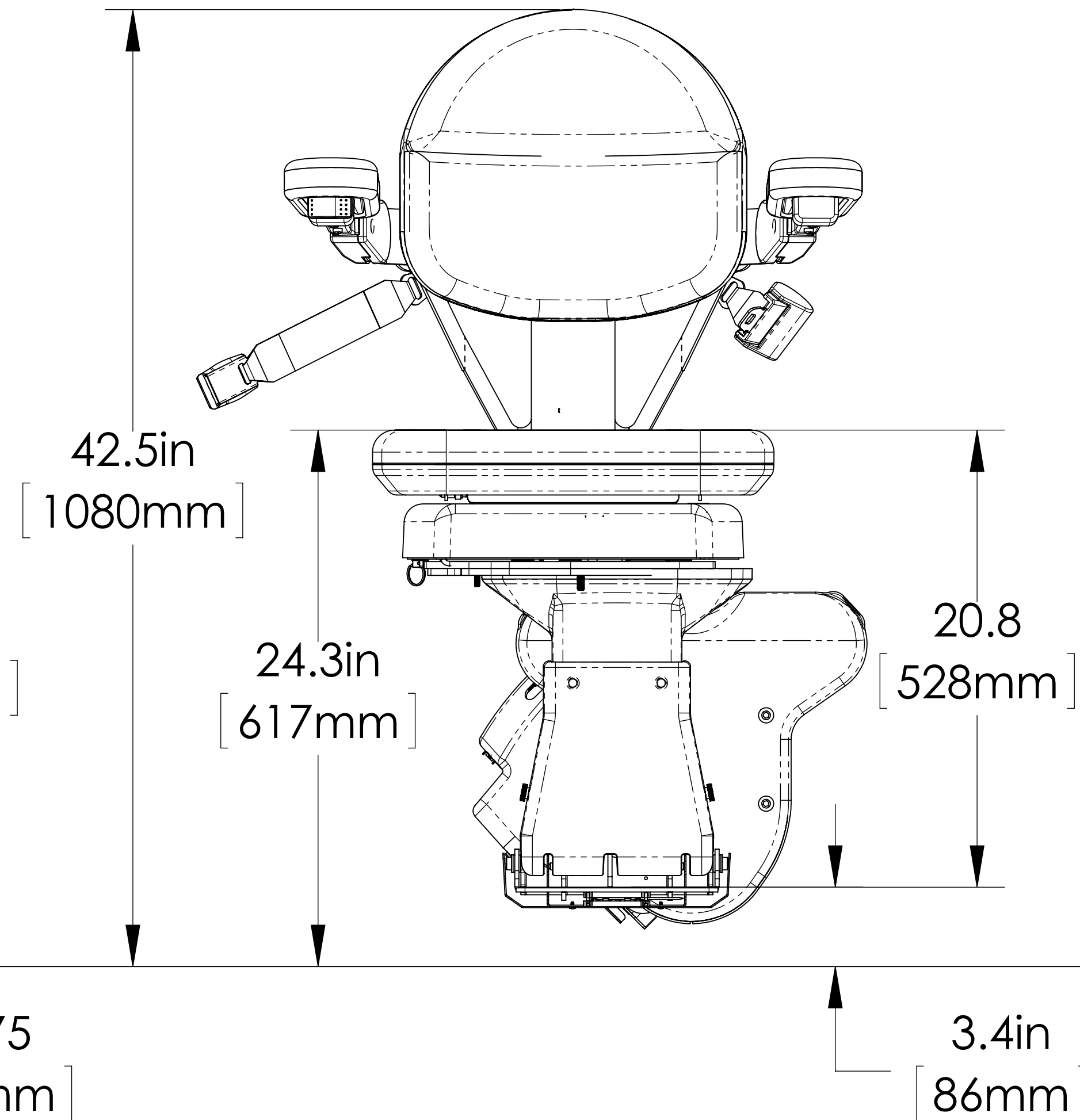
STANDARD SRE-2010



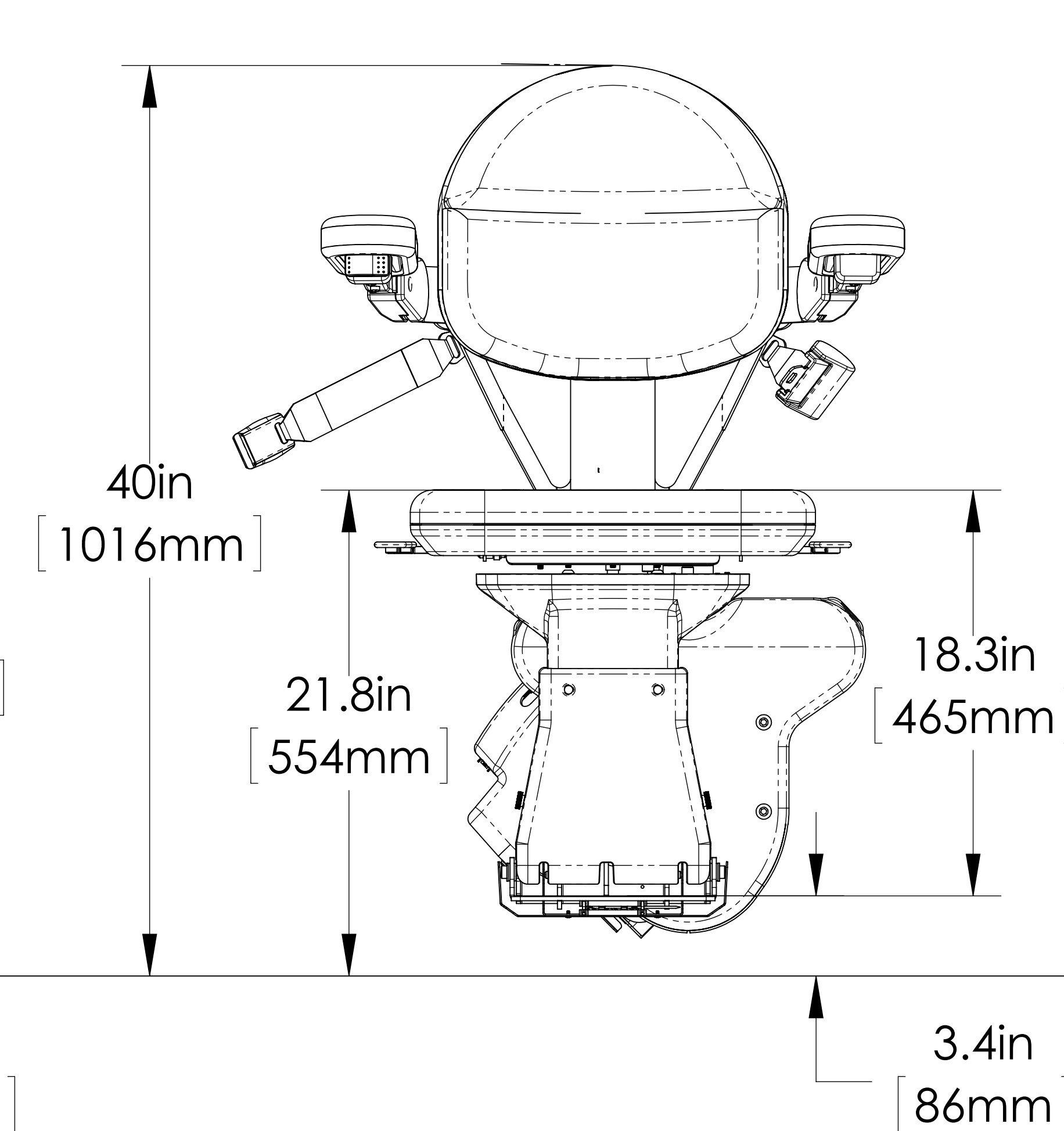
POWER SWIVEL SEAT ONLY SRE-2010



POWER SWIVEL SEAT & POWER FOOTREST SRE-2010

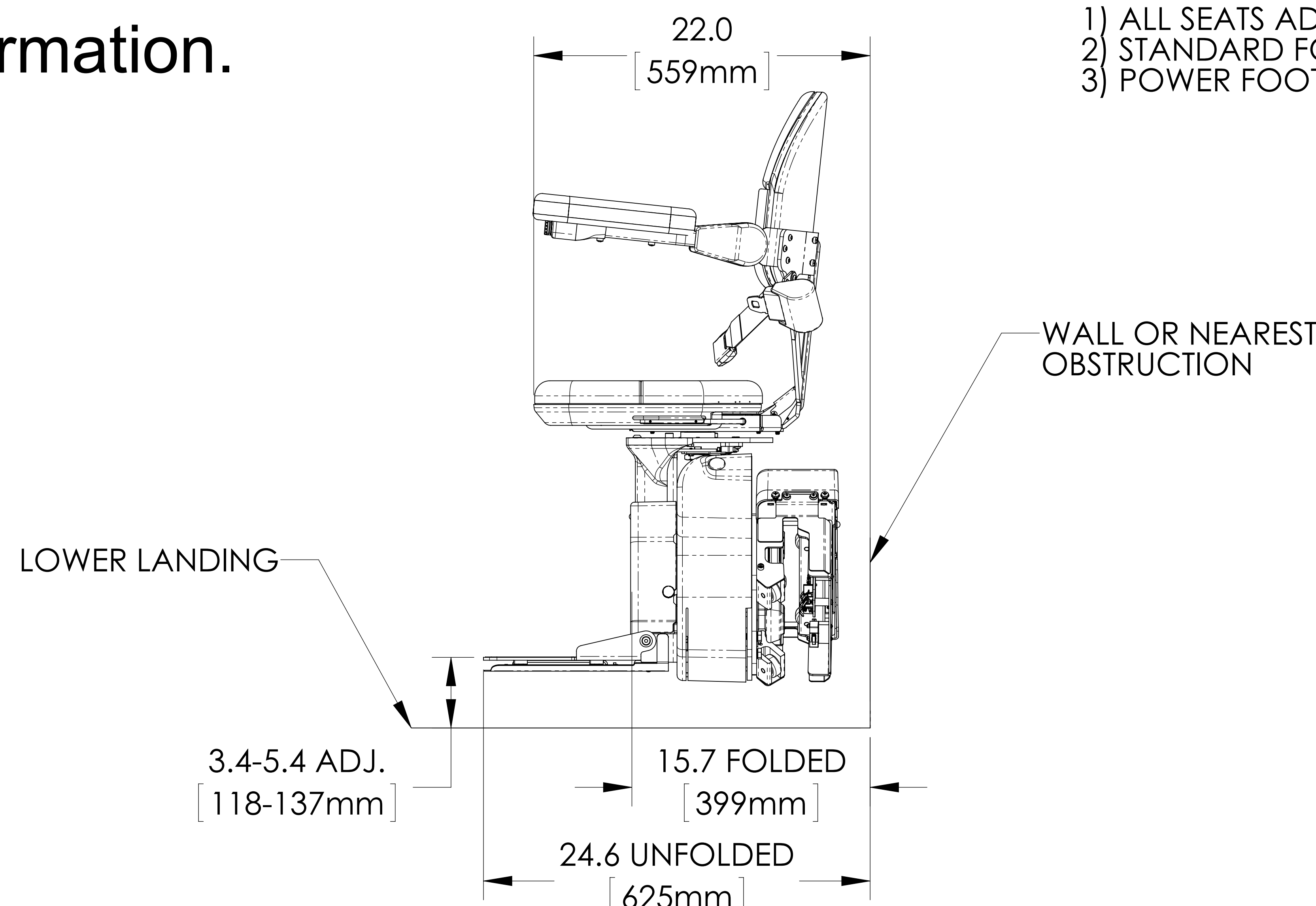


POWER FOOTREST ONLY SRE-2010



Please call www.StairliftStore.com
at 281-480-9876 for more information.

POWER FOLDED FOOTREST SIDE VIEW



NOTES:

- 1) ALL SEATS ADJUST UP 3" [76mm] IN 1" [25mm] INCREMENTS.
- 2) STANDARD FOOTREST ADJUSTS UP 1 1/4" [31.75mm] IN 5/8" [15.88] INCREMENTS.
- 3) POWER FOOTREST ADJUSTS UP 2" [51mm] IN 1" [25mm] INCREMENTS.

ADD DUAL DIMENSIONS (in./mm).

ILS-00853
SHEET 1 OF 1
REV. 1 (5901)(5-28-15)(KAS)

BRUNO
for your independence

©Bruno Independent Living Aids, Inc.