

# TECHNICAL DATA/SPECIFICATION

MODEL: SRE-3000 ELAN STRAIGHT RAIL STAIRLIFT, PRIVATE RESIDENCE ONLY

RATED LOAD: 300 LBS, ONE PASSENGER

POWER SOURCE: 24 VOLT DC COMPRISED OF (2) 3 AMP/HR  
12 VOLT SEALED BATTERIES  
105-230 VOLT AC 0.6 AMP, 24 VOLT DC 1 AMP  
CONTINUOUS MONITORING CHARGER.

DRIVE: 24 VOLT DC DIRECT DRIVE SELF LOCKING POSITIVE GEARED MOTOR,  
2 POLE RATED .18 HP MAX., RIGHT ANGLE WORM GEARBOX,  
50Nm (442in.lb.) TORQUE MAX., 25.5 RPM SPEED MAX.,  
16 AMP CURRENT MAX.

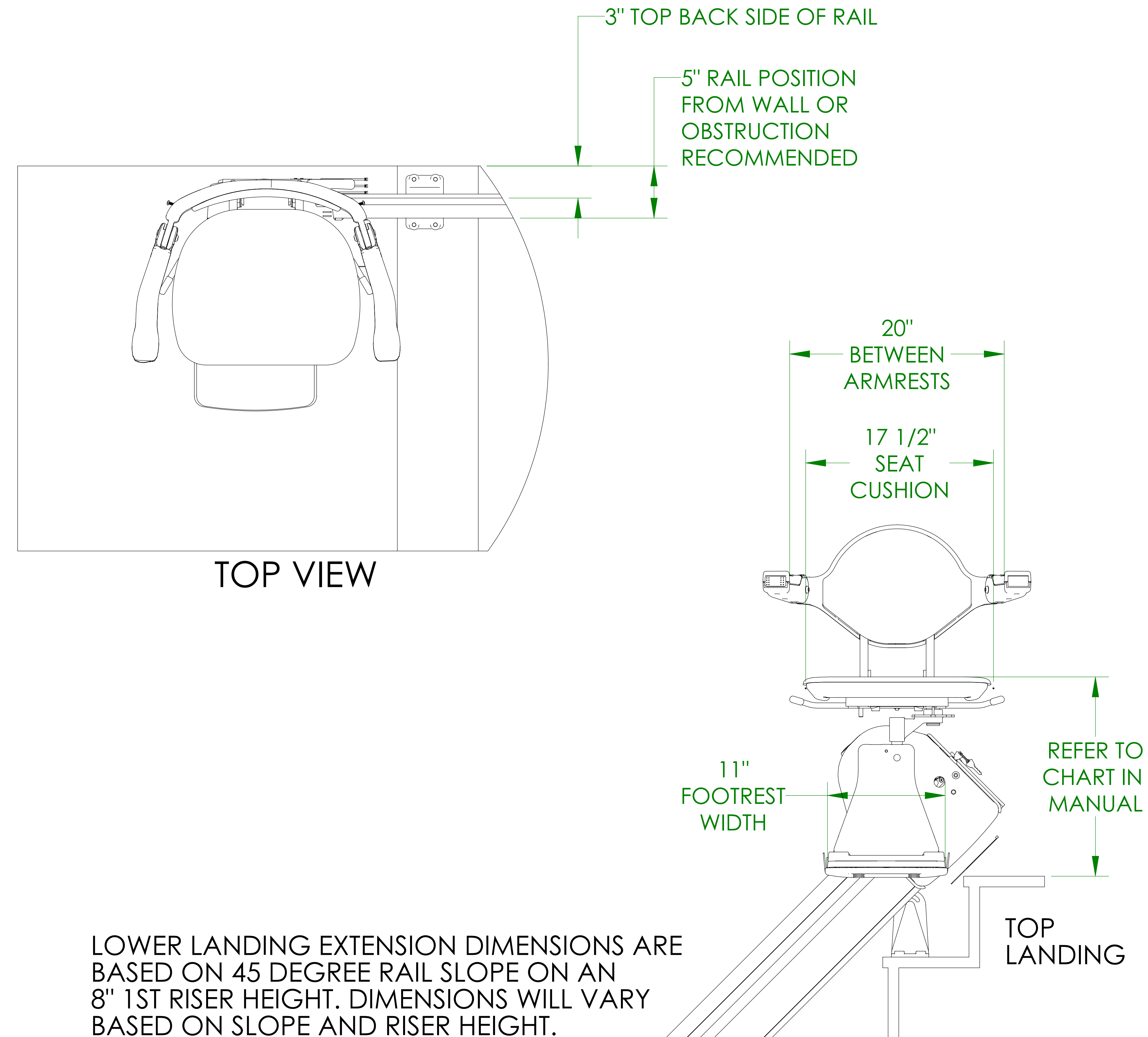
SUSPENSION: RACK & PINION - INTEGRATED 8DP GEAR RACK  
ON RAIL WITH SPUR GEAR ON THE OUTPUT SHAFT  
OF GEARBOX.

BRAKING: DYNAMIC MOTOR BRAKING THROUGH THE MOTOR  
CONTROLLER, WORM GEAR, ELECTRO-MECHANICAL  
MOTOR BRAKE AND OVERSPEED PROTECTION.

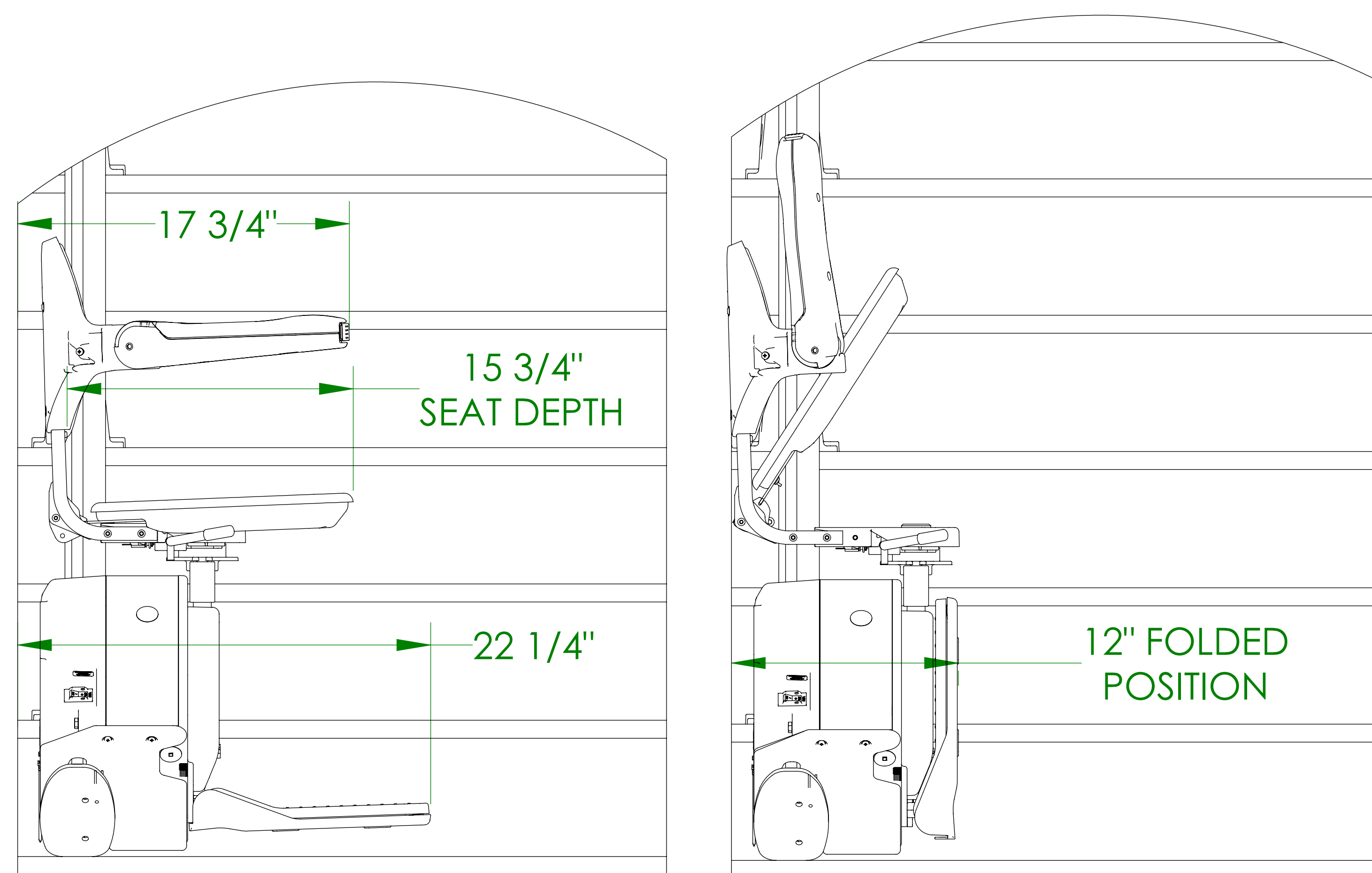
CONTROLS: CONTINUOUS PRESSURE ROCKER SWITCH LOCATED  
ON THE ARMREST AND WALL MOUNTED CALL/SEND  
CONTROLS LOCATED AT BOTH THE TOP AND BOTTOM  
LANDINGS.

ANGLES: 22 TO 45 DEGREES (SPECIALS UP TO 52 DEGREES),  
RIGHT OR LEFT HAND ORIENTATIONS.

FINAL LIMIT SWITCH: STANDARD

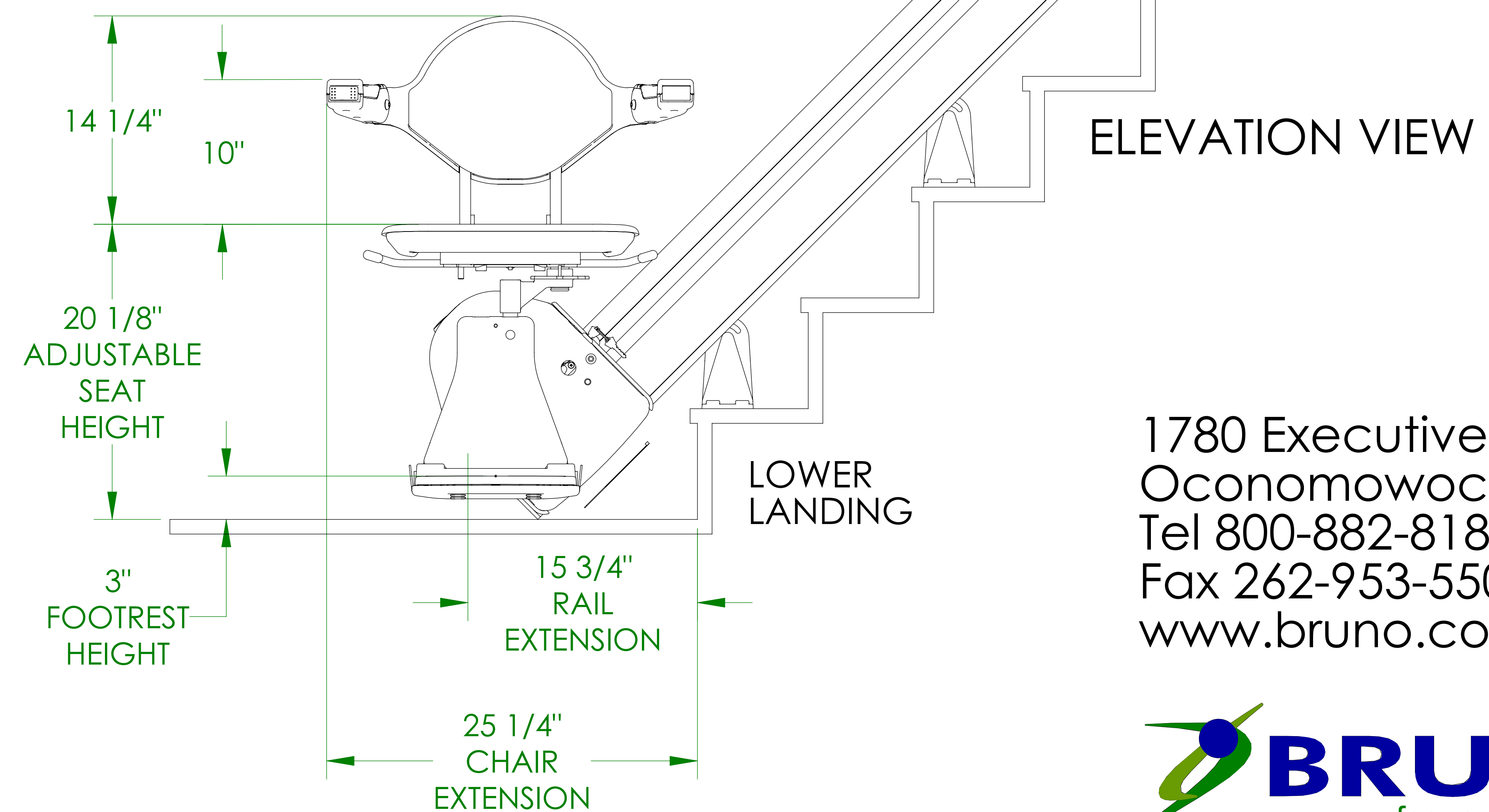


LOWER LANDING EXTENSION DIMENSIONS ARE  
BASED ON 45 DEGREE RAIL SLOPE ON AN  
8\"/>



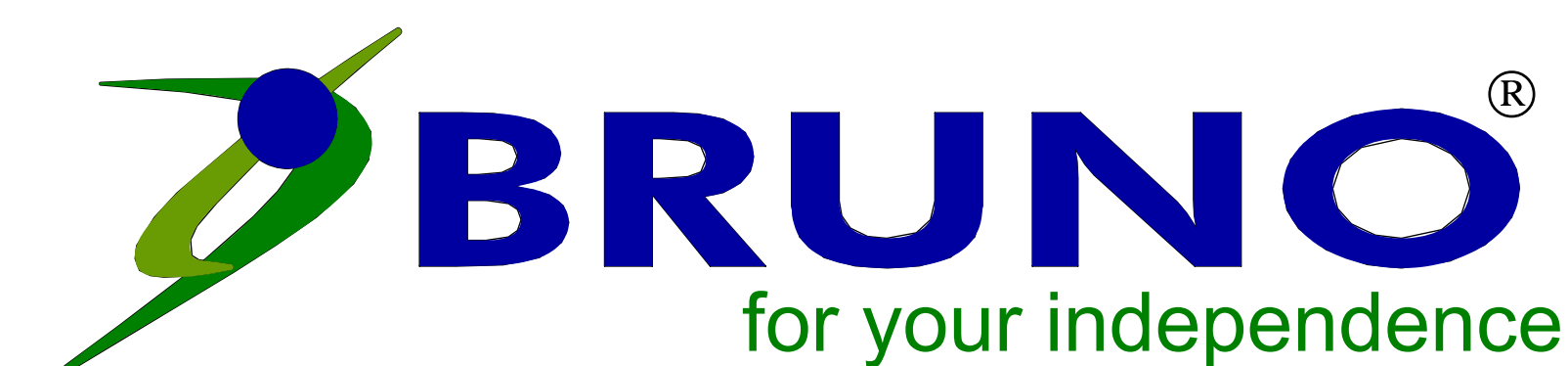
SIDE VIEWS

DIMENSIONS SHOWN IN SIDE VIEWS  
ARE BASED ON 4-1/2\"/>



ELEVATION VIEW

1780 Executive Drive  
Oconomowoc, WI 53066  
Tel 800-882-8181  
Fax 262-953-5501  
www.bruno.com



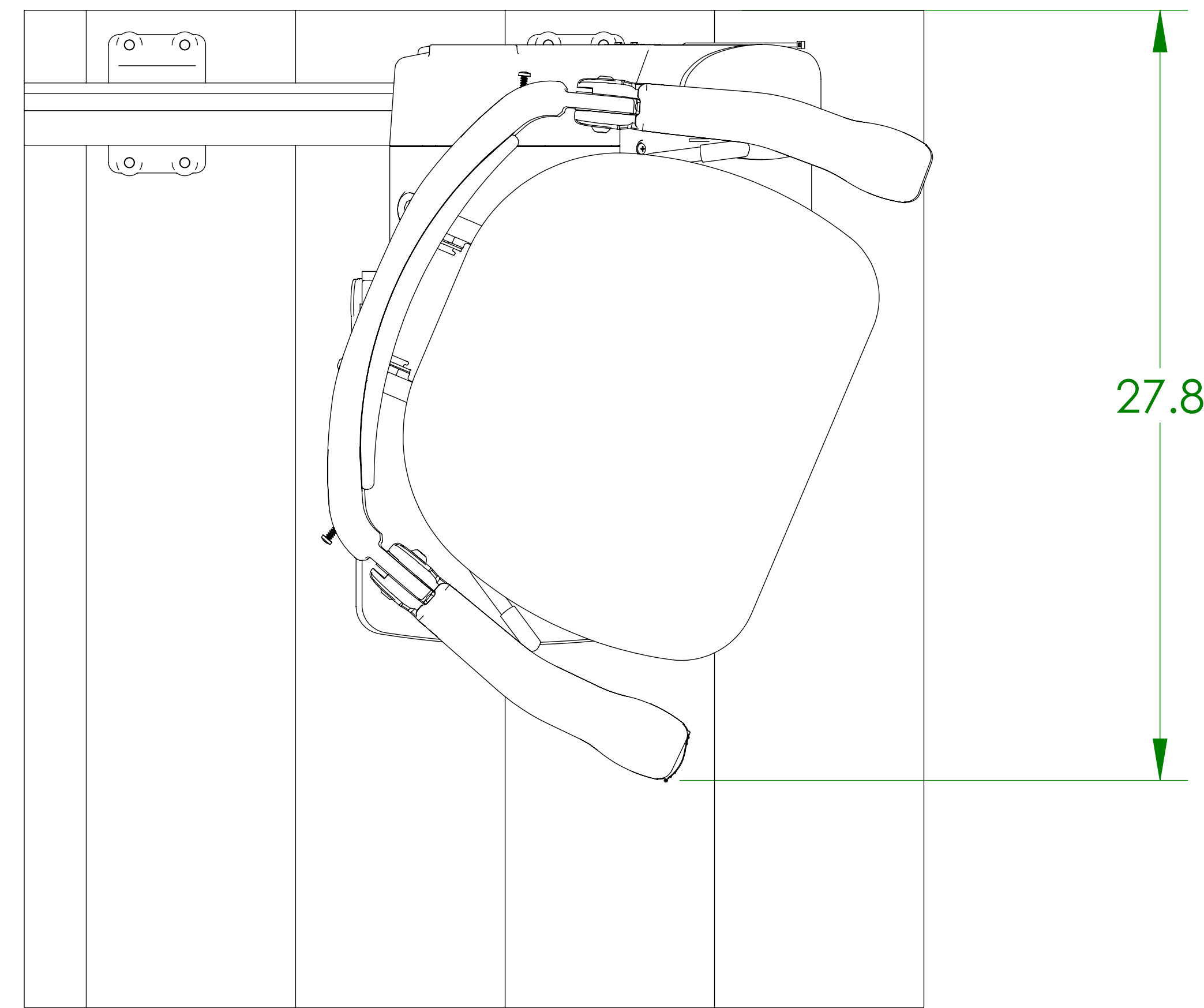
©Bruno Independent Living Aids, Inc.

**ILS-01345**  
**SHEET 1 OF 3**  
**REV. 1 (6456)(9/01/17)(BHM)**

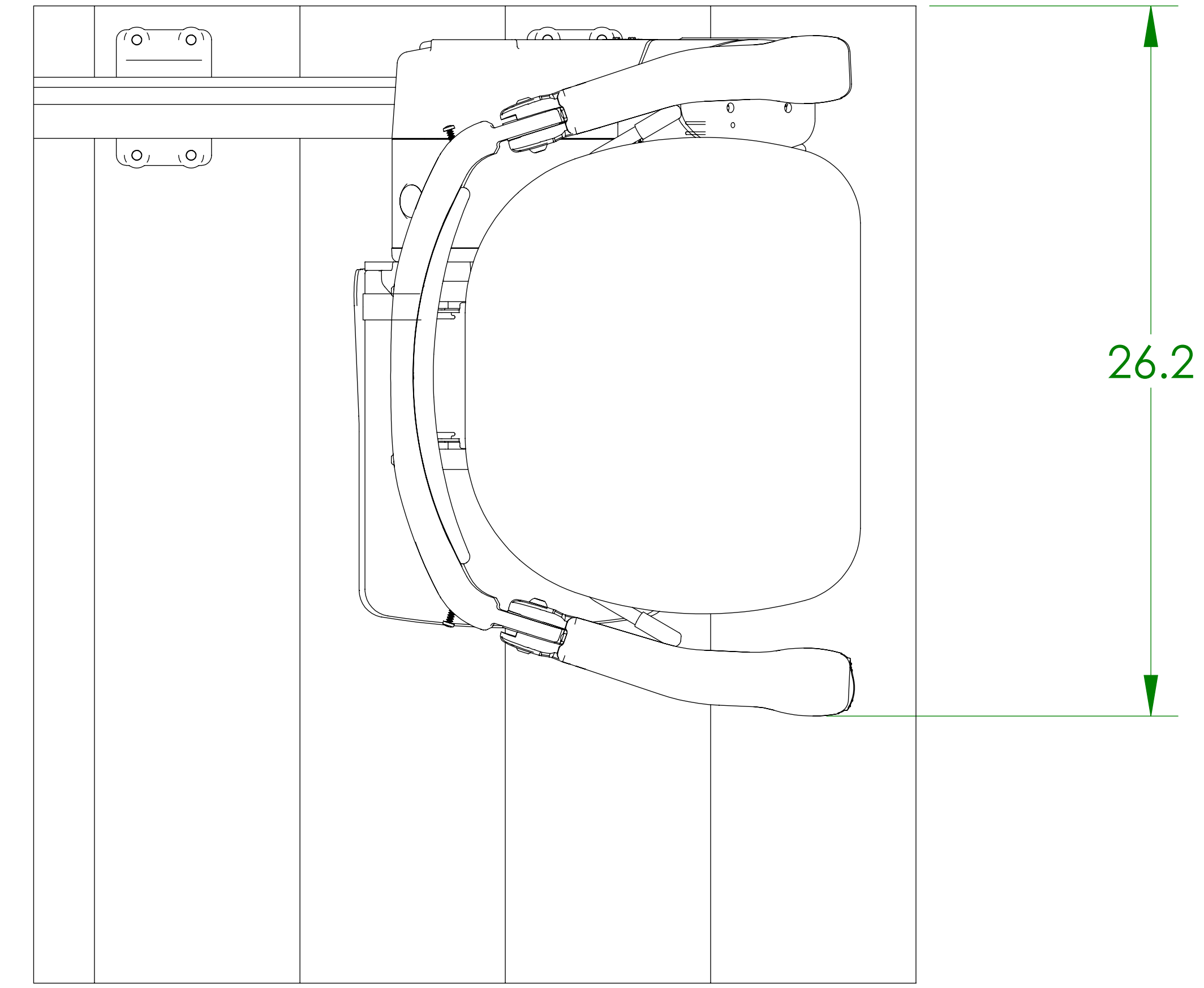
For more information call [www.StairliftStore.com](http://www.StairliftStore.com) at 281-480-9876  
Serving Houston and surrounding areas since 1998

# SRE-3000

## DISTANCE FROM WALL - SEAT SWIVELED

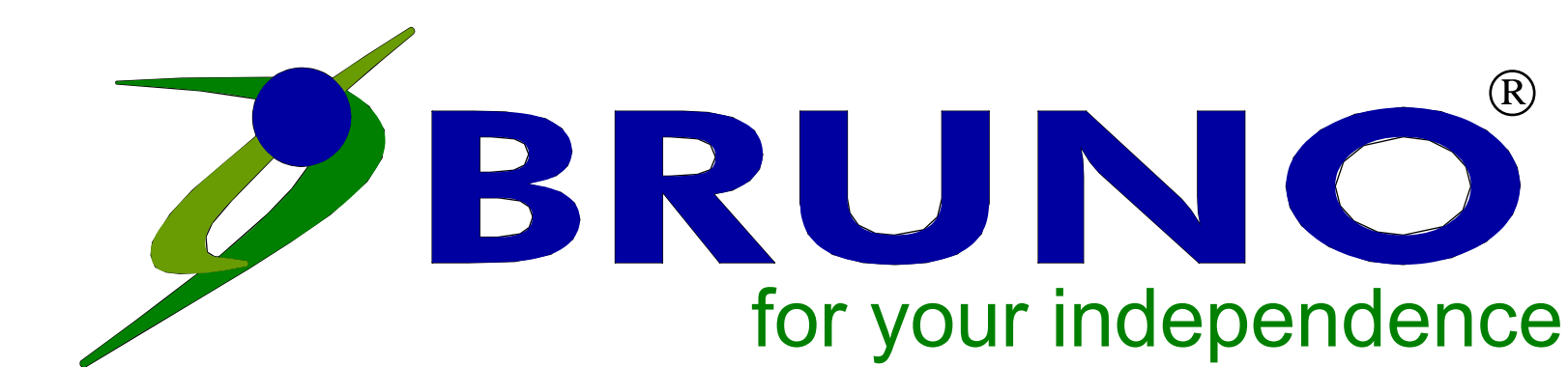


SEAT SWIVELED 67°



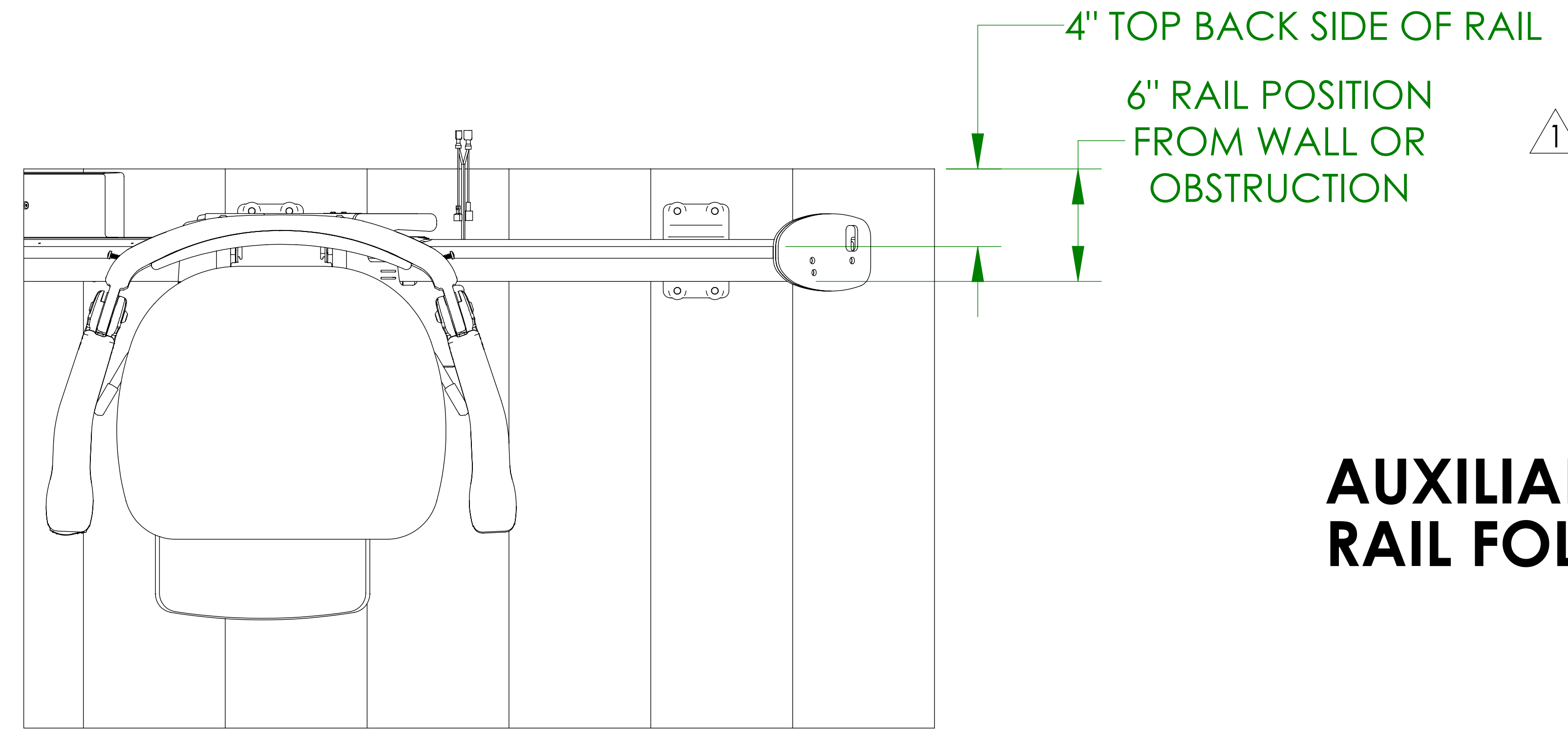
SEAT SWIVELED 90°

1780 Executive Drive  
Oconomowoc, WI 53066  
Tel 800-882-8181  
Fax 262-953-5501  
www.bruno.com



©Bruno Independent Living Aids, Inc.

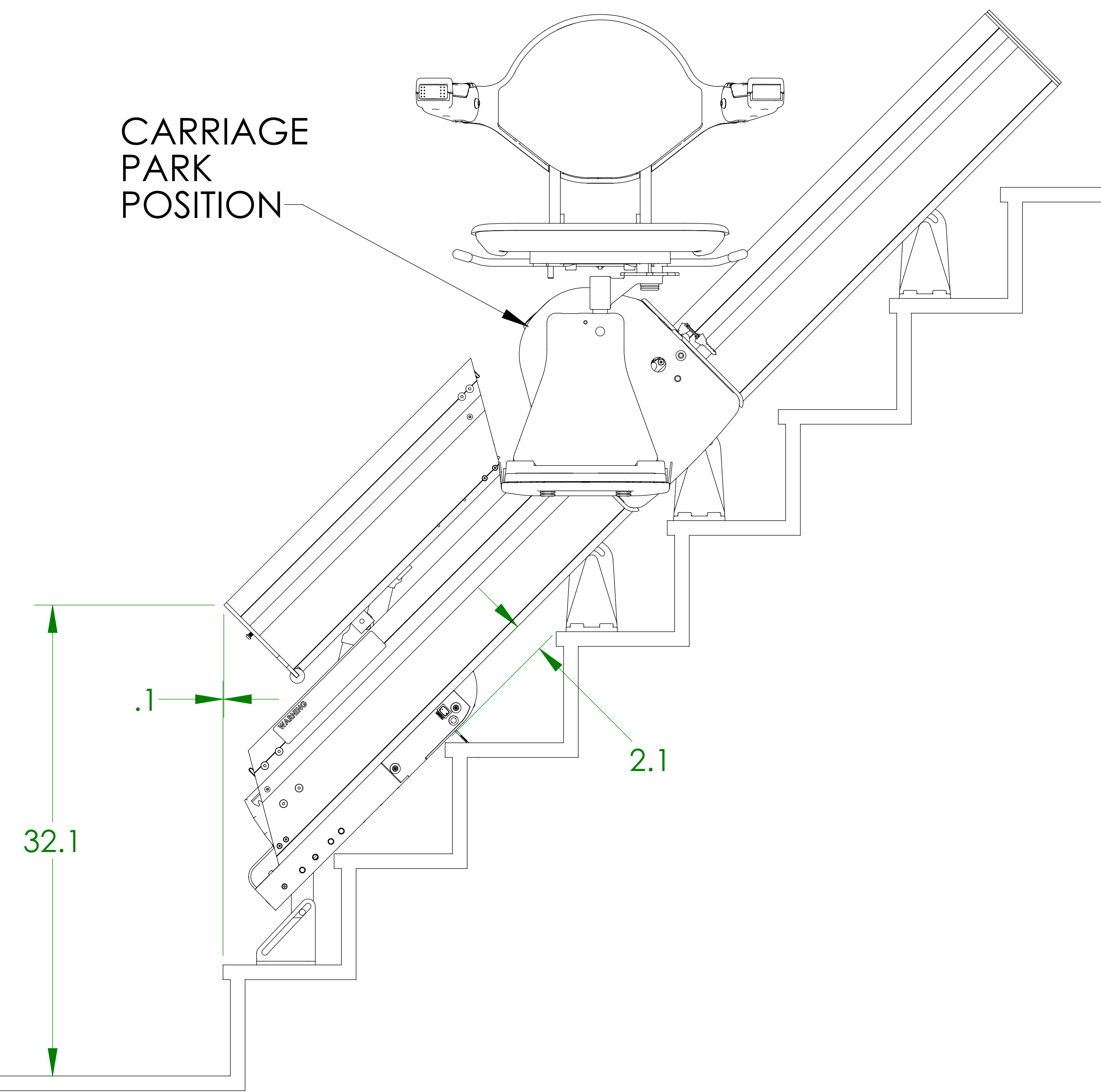
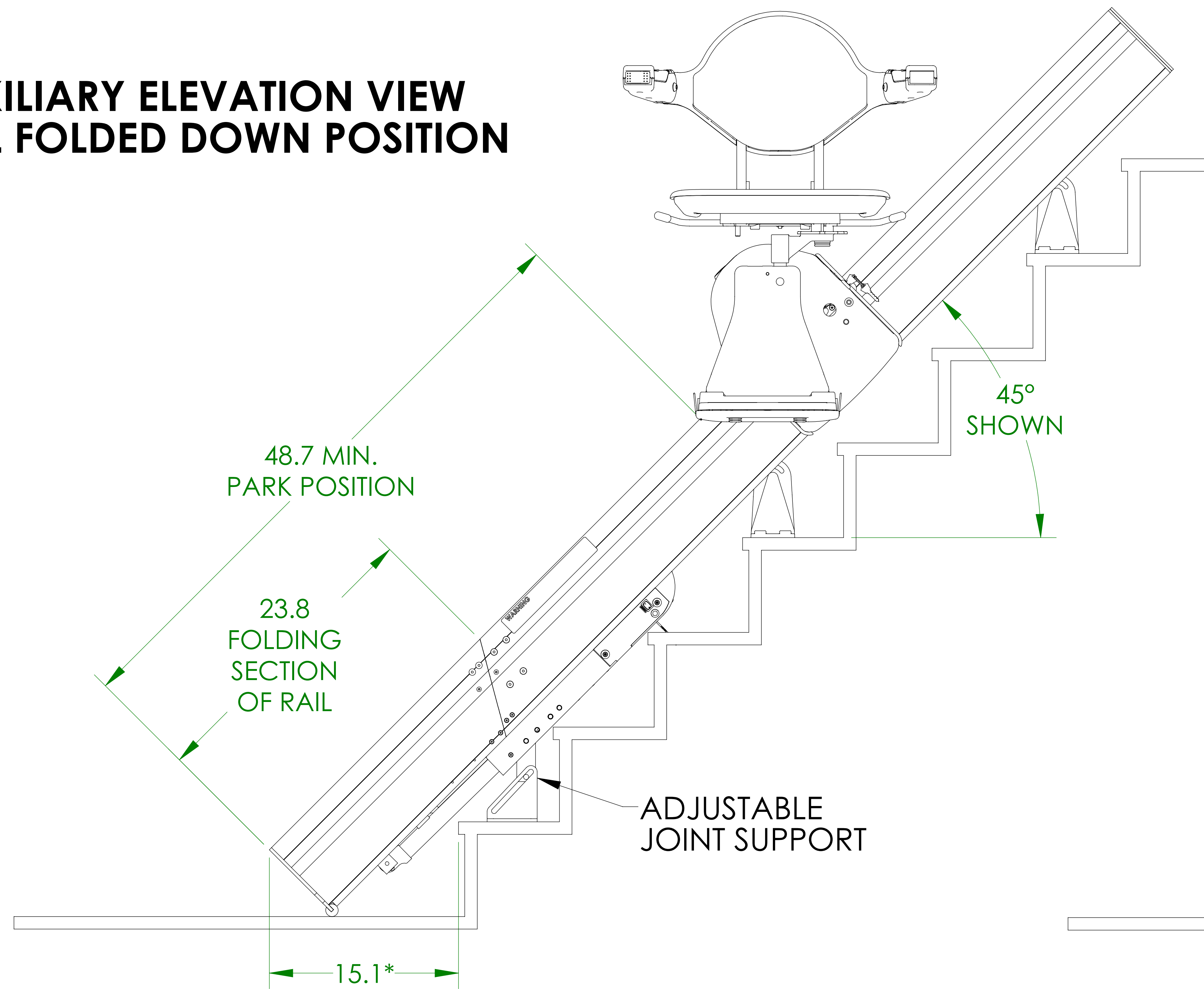
# SRE-3000 FOLDING RAIL



TOP VIEW

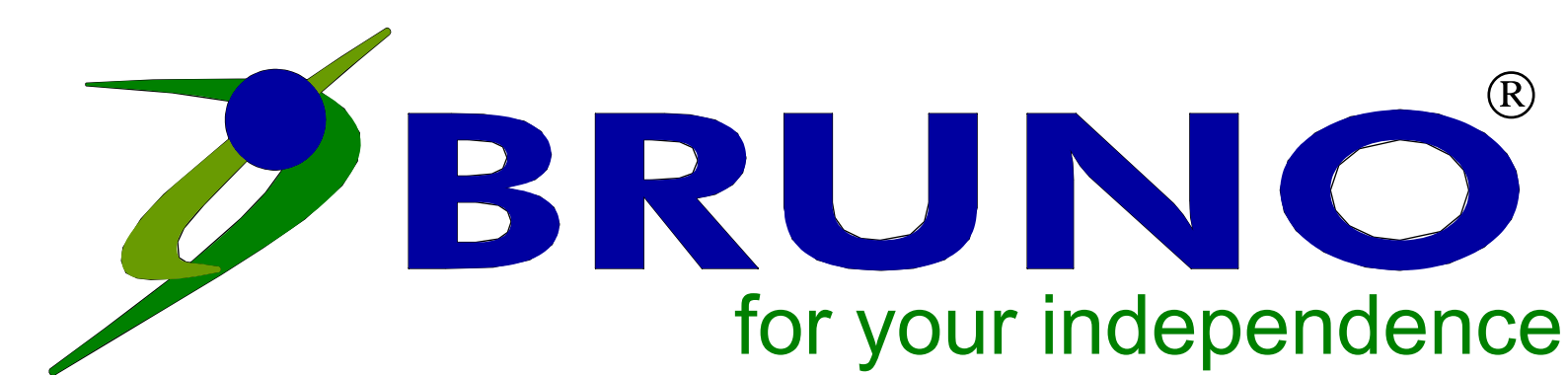
AUXILIARY ELEVATION VIEW  
RAIL FOLDED UP POSITION

AUXILIARY ELEVATION VIEW  
RAIL FOLDED DOWN POSITION



\*LOWER LANDING EXTENSION DIMENSIONS ARE BASED ON 45° RAIL SLOPE AND 8" RISER HEIGHT. DIMENSIONS WILL VARY BASED ON SLOPE AND RISER HEIGHT.

1780 Executive Drive  
Oconomowoc, WI 53066  
Tel 800-882-8181  
Fax 262-953-5501  
www.bruno.com



©Bruno Independent Living Aids, Inc.