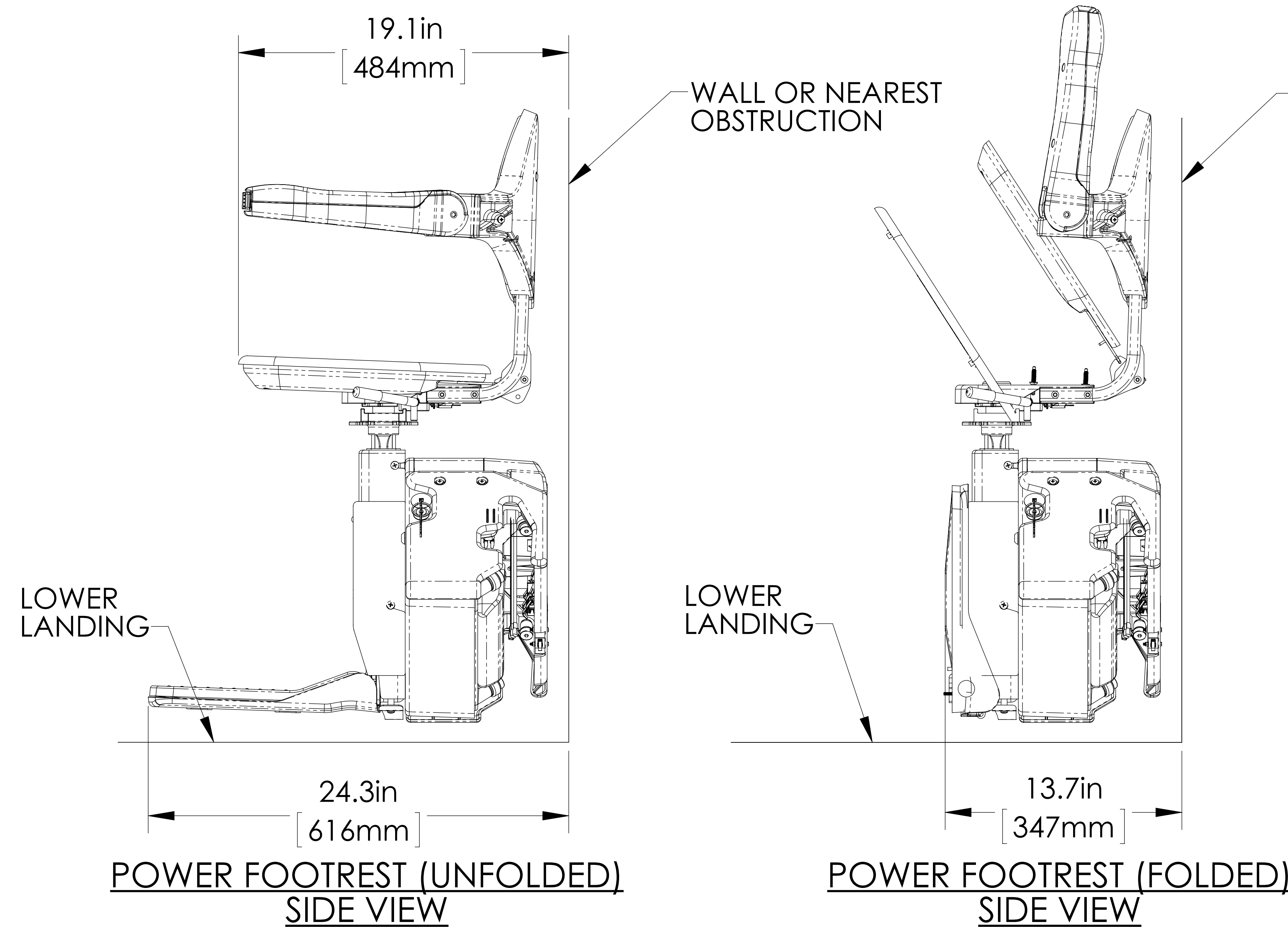
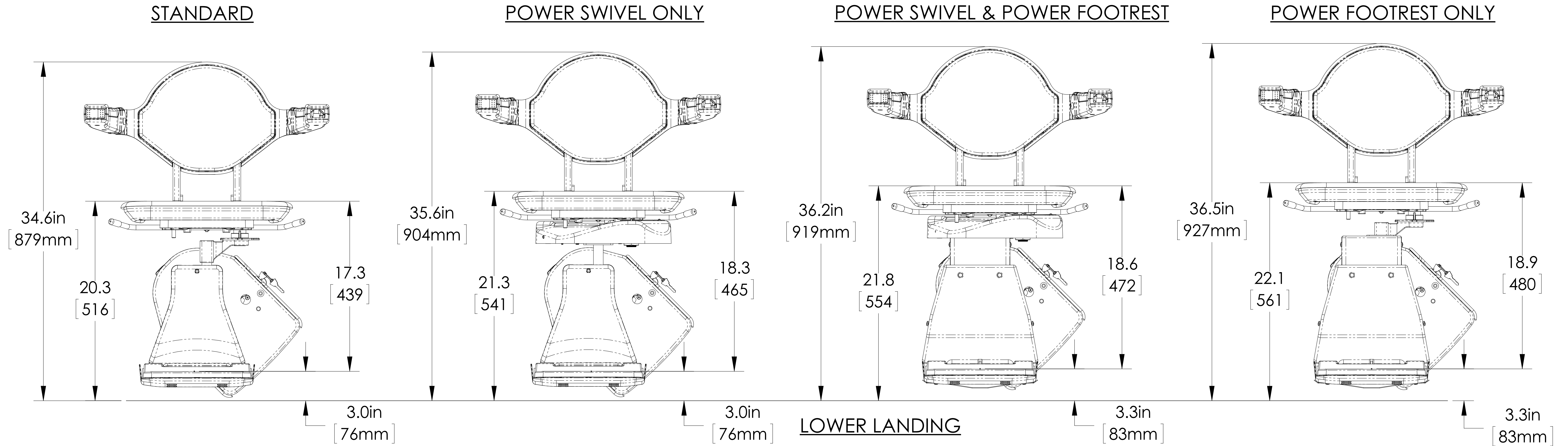


SRE-3000 POWER OPTIONS TYPICAL DRAWING

SUPPLEMENTAL SEAT AND FOOTREST DIMENSIONS FOR POWER OPTIONS
 CARRIAGE AND SEAT ELEVATION VIEW
 SEAT AND FOOTREST SHOWN IN LOWEST POSITIONS
 FOR LEFT HAND INSTALLATIONS



NOTES:

- 1) STANDARD: SEAT ADJUSTS UP 3" [76mm] IN 1" [25mm] INCREMENTS.
- 2) POWER OPTIONS: SEAT ADJUSTS UP 2" [51mm] IN 1" [25mm] INCREMENTS.

www.StairliftStore.com, phone 281-480-9876

ADD DUAL DIMENSIONS (in./mm).

ILS-01219
SHEET 1 OF 1
REV. 1 (5906)(6-16-15)(KAS)

BRUNO[®]
 for your independence
 ©Bruno Independent Living Aids, Inc.