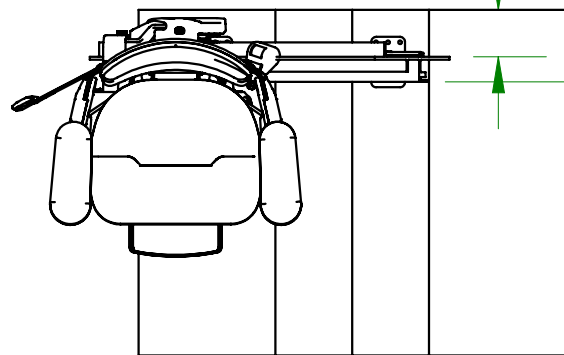


TECHNICAL DATA/SPECIFICATION

MODEL: CRE-2110E OUTDOOR ELITE CURVE
 RATED LOAD: 400 LBS, ONE PASSENGER
 POWER SOURCE: 24 VOLT DC COMPRISED OF (2) 7 AMP/HR
 12 VOLT SEALED BATTERIES
 110 VOLT AC 1.5 AMP, 24 VOLT DC 2 AMP
 CONTINUOUS MONITORING CHARGER.
 DRIVE: 24 VOLT DC DIRECT DRIVE GEAR-MOTOR, 2 POLE
 RATED .68 HP, 58:1 RIGHT ANGLE SELF LOCKING
 GEARBOX, 41.5 RPM NO LOAD RPM OUTPUT SPEED.
 SUSPENSION: RACK & PINION - INTEGRATED 8DP GEAR RACK
 ON RAIL WITH A SPUR GEAR ON THE OUTPUT
 SHAFT OF THE GEAR BOX.
 BRAKING: DYNAMIC MOTOR BRAKING THROUGH THE MOTOR
 CONTROLLER, SELF LOCKING WORM GEAR, AND
 ELECTRO-MECHANICAL MOTOR BRAKE.
 CONTROLS: CONTINUOUS PRESSURE ROCKER SWITCH LOCATED
 ON THE ARM REST AND WALL MOUNTED CALL/SEND
 CONTROLS LOCATED AT BOTH THE TOP AND BOTTOM
 LANDINGS.
 ANGLES: 0 TO 45 DEGREES (SPECIALS UP TO 50 DEGREES) RIGHT
 OR LEFT HAND ORIENTATIONS.
 FINAL LIMIT SWITCH STANDARD
 KEYED CALL/SEND CONTROLS STANDARD
 KEYED CONTROL ON CHAIR STANDARD

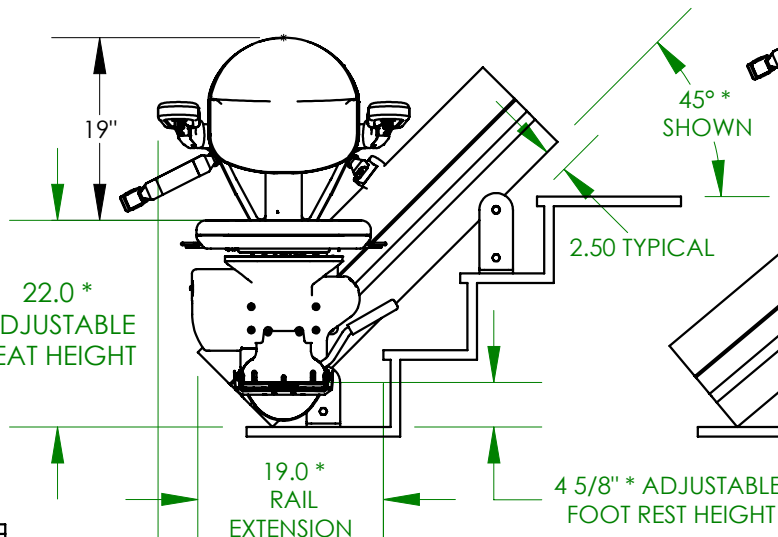
TOP VIEW



4.88 LOWER BACK SIDE OF RAIL

* 7.50 RAIL TO WALL
 OR OBSTRUCTION FOR
 OUTSIDE RADIUS
 8.00 FOR INSIDE RADIUS

LOWER LANDING



19"

22.0 *
 ADJUSTABLE
 SEAT HEIGHT

19.0 *
 RAIL
 EXTENSION

23 1/2" ADJ. *
 CHAIR EXTENSION

25 3/4"

45° *
 SHOWN

2.50 TYPICAL

4 5/8" * ADJUSTABLE
 FOOT REST HEIGHT

17 5/8"-21 1/2"
 ADJUSTABLE

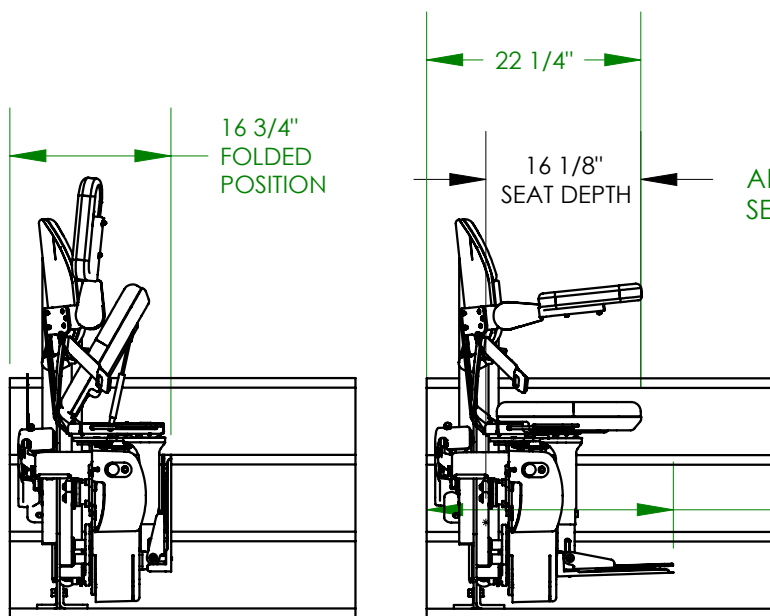
11 5/8"

19 5/8" *

UPPER LANDING

ELEVATION VIEWS

DIMENSIONS WITH * ARE APPROXIMATE.
 THESE DIMENSIONS MAY VARY BASED ON
 THE SLOPE, RISER HEIGHT, AND CUSTOM
 SEAT ADJUSTMENTS MADE FOR THE USER.



16 3/4"
 FOLDED
 POSITION

16 1/8"
 SEAT DEPTH

22 1/4"

DIMENSIONS ARE BASED ON 7.5" RAIL TO WALL POSITION
 SIDE VIEWS

1780 Executive Drive
 P.O. 84
 Oconomowoc, WI 53066
 Tel 800-882-8181
 Fax 262-953-5501
 www.bruno.com

ILS-01137

SHEET 1 OF 2

REV. 0 (ISSUED)(5/1/13)(DPG)

www.StairliftStore.com, phone 281-480-9876

BRUNO
 for your independence

©Bruno Independent Living Aids, Inc.

CRE-2110E TECHNICAL DRAWING

