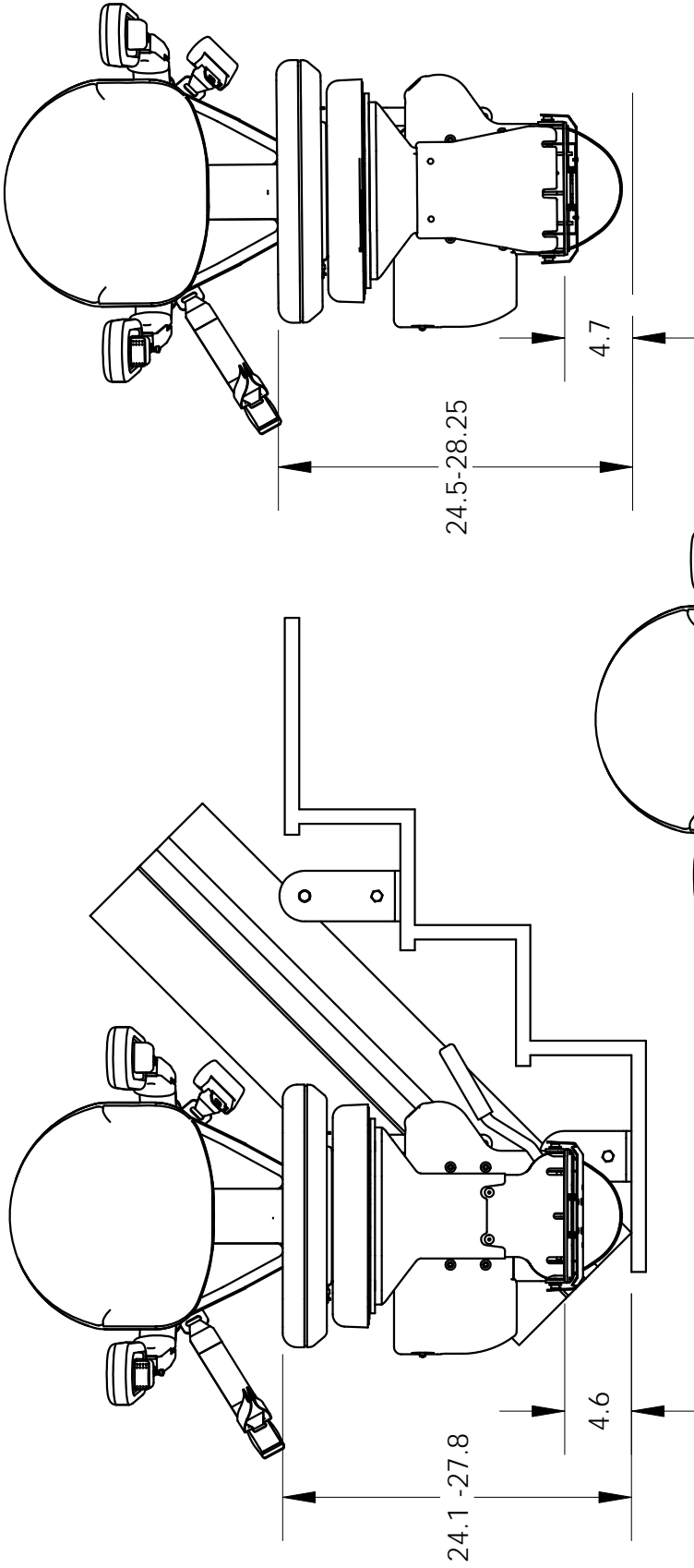
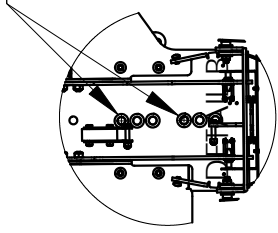
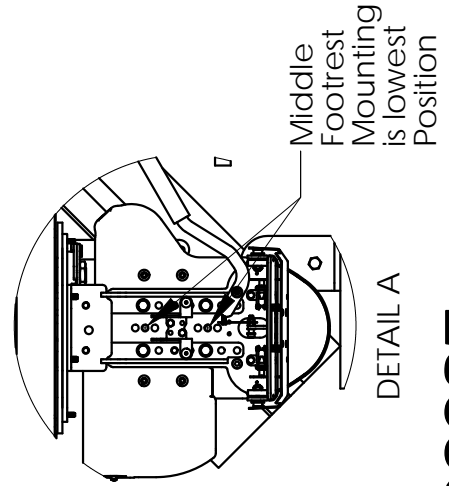


CRE-2110 OPTIONS TECH DRAWING



POWER SEAT ONLY
(USES MIDDLE FOOTREST POSITION)
(SEE DETAIL A)

POWER SEAT AND POWER FOOTREST
(USES LOWEST FOOTREST POSITION)
(SEE DETAIL B)



POWER FOOTREST ONLY
(USES LOWEST FOOTREST POSITION)
(SEE DETAIL B)

NOTE: HIGHEST SEAT POSITION ACHIEVED BY USING BOTTOM FOOTREST MOUNTING HOLES